

TECHNICAL DETAILS ——— METRIC ——— INCH ———

OPERATING CONDITIONS

MAXIMUM SPEED 5.0 m/sec
 TEMPERATURE RANGE -40°C + 120°C

15.0 ft/sec
 -40°F + 250°F

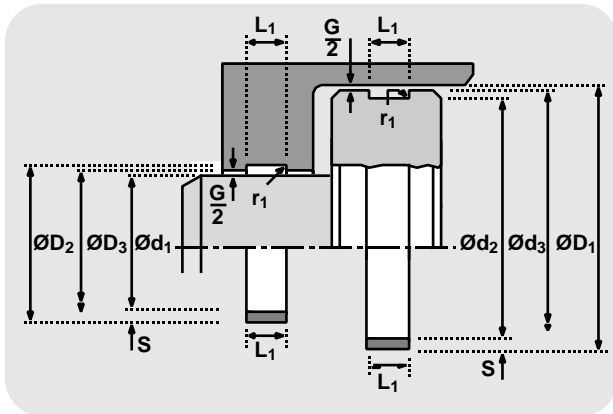
SURFACE ROUGHNESS

		µmRa	µmRt	µmCLA	µmRMS
ROD	DYNAMIC SEALING FACE $\varnothing d_1$	0.4	4 max	16	18
	STATIC SEALING FACE $\varnothing D_2$ L_1	3.2max	16max	125max	140max
PISTON	DYNAMIC SEALING FACE $\varnothing D_1$	0.4	4 max	16	18
	STATIC SEALING FACE $\varnothing d_2$ L_1	3.2 max	16 max	125 max	140 max

HOUSING DETAILS & TOLERANCES

L_1 in	+0.015	+0.010	
r_1 in	0.016 max		
ROD $\varnothing d_1$ in	f9		
$\varnothing D_2$ in	$\varnothing d_1 + 2S$	+0.004	-0.000
$\varnothing D_3$ in	$\varnothing d_1 + G$		
PISTON $\varnothing D_1$ in	H11		
$\varnothing d_2$ in	$\varnothing D_1 - 2S$	+0.000	-0.004
$\varnothing d_3$ in	$\varnothing D_1 - G$		
$\frac{1}{8}$ nominal cross sections - in	S = 0.126	G max 0.080	G min 0.031
$\frac{3}{32}$ nominal cross sections - in	S = 0.093	G max 0.060	G min 0.031

533



DESIGN

Hallite 533 glass filled nylon wear rings are designed for reciprocating piston and rod bearing applications.

The material is heat stabilised 33% glass reinforced nylon 66, which offers excellent bearing properties. The material is compatible with hydraulic and lubricating oils. The material is not recommended for use in water based fluids (H.F.A) or where significant water is present, due to the swell of the nylon. For these applications the use of Hallite 506 or Hallite 63 bearings are recommended.

NOTE : Metric sizes are also available upon request. For further information about these and any other sizes that you are looking for, please contact your local Hallite sales office.

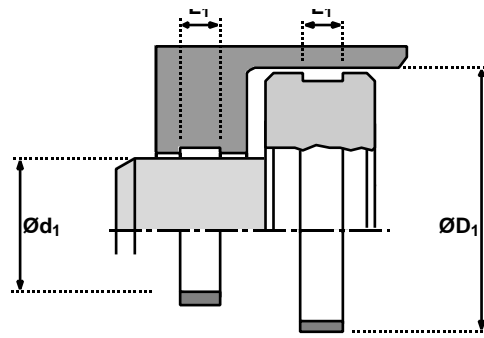
FEATURES

- MOULDED TO SIZE
- EASY INSTALLATION
- ROBUST
- LONG LIFE

Bearings

533

inch

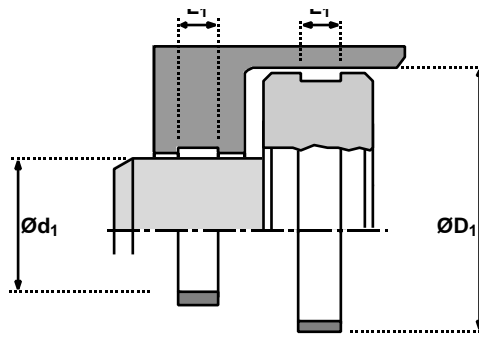


ØD ₁	Ød ₁	L ₁	PART No.	ØD ₁	Ød ₁	L ₁	PART No.
1.250	1.000	1.000	F30220	2.750	2.500	0.375	F30051
1.500	1.250	0.250	F30005	2.750	2.500	0.500	F30052
1.500	1.250	0.375	F30006	2.750	2.500	0.625	F30054
1.500	1.250	0.500	F30305	2.750	2.500	0.750	F30055
1.500	1.312	0.187	F30004	2.750	2.500	1.000	F30056
1.500	1.312	0.375	F30352	3.000	2.750	0.250	F30061
1.750	1.500	0.190	F30234	3.000	2.750	0.312	F30062
1.750	1.500	0.375	F30201	3.000	2.750	0.375	F30063
1.750	1.500	0.500	F30013	3.000	2.750	0.500	F30064
1.875	1.625	0.190	F30179	3.000	2.750	0.625	F30191
1.875	1.625	0.375	F30235	3.000	2.750	0.750	F30066
1.875	1.625	0.500	F30306	3.000	2.750	1.000	F30067
2.000	1.750	0.187	F40001	3.000	2.812	0.375	F30327
2.000	1.750	0.250	F30018	3.250	3.000	0.250	F30207
2.000	1.750	0.312	F30020	3.250	3.000	0.312	F30259
2.000	1.750	0.375	F30022	3.250	3.000	0.375	F30069
2.000	1.750	0.500	F30024	3.250	3.000	0.500	F30070
2.000	1.750	0.750	F30025	3.250	3.000	0.625	F30287
2.000	1.812	0.375	F30325	3.250	3.000	0.750	F30072
2.125	1.875	0.375	F20026	3.250	3.000	1.000	F30074
2.250	2.000	0.187	F40029	3.250	3.062	0.375	F30353
2.250	2.000	0.250	F30196	3.500	3.250	0.250	F30079
2.250	2.000	0.312	F30032	3.500	3.250	0.312	F30255
2.250	2.000	0.375	F30033	3.500	3.250	0.375	F30080
2.250	2.000	0.500	F30035	3.500	3.250	0.500	F30083
2.250	2.000	0.625	F30036	3.500	3.250	0.625	F30085
2.250	2.000	0.750	F30037	3.500	3.250	0.750	F30087
2.375	2.125	0.500	F30038	3.500	3.250	1.000	F30275
2.500	2.250	0.187	F30040	3.500	3.312	0.375	F30328
2.500	2.250	0.250	F30041	3.625	3.375	0.500	F30090
2.500	2.250	0.312	F30043	3.625	3.375	1.000	F30091
2.500	2.250	0.375	F30044	3.750	3.500	0.250	F40027
2.500	2.250	0.500	F30045	3.750	3.500	0.312	F30260
2.500	2.250	0.625	F30047	3.750	3.500	0.375	F30092
2.500	2.250	0.750	F30048	3.750	3.500	0.500	F30093
2.500	2.250	1.000	F30286	3.750	3.500	0.625	F30094
2.500	2.312	0.375	F30326	3.750	3.500	0.750	F30095
2.625	2.375	0.375	F20179	4.000	3.750	0.250	F30100
2.625	2.375	0.625	F30285	4.000	3.750	0.312	F30256
2.750	2.500	0.250	F30209	4.000	3.750	0.375	F30101

Bearings

533

inch



ØD ₁	Ød ₁	L ₁	PART No.
4.000	3.750	0.500	F30102
4.000	3.750	0.625	F30104
4.000	3.750	0.750	F30105
4.000	3.750	1.000	F30219
4.250	4.000	0.312	F30261
4.250	4.000	0.375	F30107
4.250	4.000	0.500	F30108
4.250	4.000	0.625	F30109
4.250	4.000	0.750	F30110
4.250	4.000	1.000	F30112
4.500	4.250	0.312	F30262
4.500	4.250	0.375	F30114
4.500	4.250	0.500	F30115
4.500	4.250	0.625	F30118
4.500	4.250	0.750	F30120
4.500	4.250	1.000	F30278
4.750	4.500	0.375	F30194
4.750	4.500	0.500	F30121
4.750	4.500	0.750	F30123
4.750	4.500	1.000	F30124
5.000	4.750	0.375	F30126
5.000	4.750	0.500	F30127
5.000	4.750	0.625	F30128
5.000	4.750	0.750	F30129
5.000	4.750	1.000	F30169
5.250	5.000	0.500	F30131
5.250	5.000	0.625	F30132
5.250	5.000	0.750	F30133
5.250	5.000	1.000	F30269
5.500	5.250	0.375	F30135
5.500	5.250	0.500	F30136
5.500	5.250	0.625	F30138
5.500	5.250	0.750	F30140
5.500	5.250	1.000	F30141
5.750	5.500	0.750	F30143
5.750	5.500	1.000	F30144
6.000	5.750	0.500	F30145
6.000	5.750	0.625	F30147
6.000	5.750	0.750	F30208

ØD ₁	Ød ₁	L ₁	PART No.
6.000	5.750	1.000	F30149
6.250	6.000	0.500	F30279
6.250	6.000	0.625	F30151
6.250	6.000	0.750	F30152
6.250	6.000	1.000	F30153
6.500	6.250	0.500	F30154
6.500	6.250	0.750	F30199
6.500	6.250	1.000	F30157
6.750	6.500	1.000	F30276
7.000	6.750	0.500	F30158
7.000	6.750	0.625	F30159
7.000	6.750	0.750	F30277
7.000	6.750	1.000	F30160
7.250	7.000	0.500	F30281
7.250	7.000	0.750	F30284
7.250	7.000	1.000	F30289
7.500	7.250	0.500	F30162
7.500	7.250	0.750	F30165
7.500	7.250	1.000	F30166
7.750	7.500	0.500	F20160
7.750	7.500	1.000	F30247
8.000	7.750	1.000	F30231
8.250	8.000	1.000	F30248
8.500	8.250	0.500	F30168
8.500	8.250	1.000	F30246
8.750	8.500	1.000	F30249
9.000	8.750	1.000	F30230
9.250	9.000	1.000	F30253
9.500	9.250	1.000	F30254
9.750	9.500	1.000	F30250
10.000	9.750	1.000	F30221
10.250	10.000	1.000	F30258
10.500	10.250	1.000	F30257
11.000	10.750	1.000	F30222
11.250	11.000	1.000	F30251
11.500	11.250	1.000	F30252
12.000	11.750	1.000	F30223
13.000	12.750	1.000	F30224