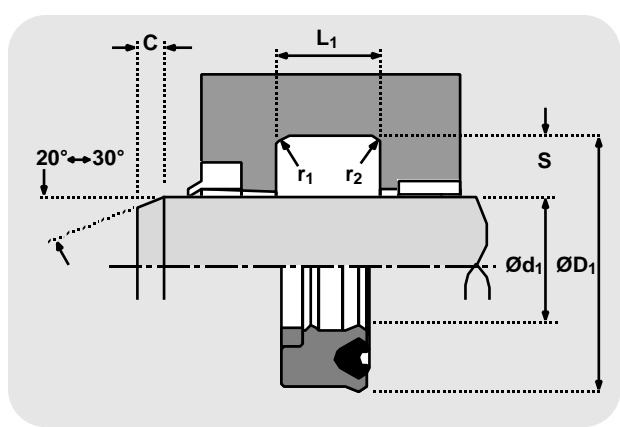


TECHNICAL DETAILS		METRIC	INCH			
OPERATING CONDITIONS						
MAXIMUM SPEED	1.0 m/sec	3.0 ft/sec				
TEMPERATURE RANGE	-45°C + 110°C	-50°F + 230°F				
MAXIMUM PRESSURE	700 bar	10,000 p.s.i.				
MAXIMUM EXTRUSION GAP						
PRESSURE bar	160	250	400	500	700	
MAXIMUM GAP mm	1.0	0.8	0.6	0.4	0.25	
PRESSURE p.s.i.	2400	3750	6000	7500	10,000	
MAXIMUM GAP in	0.040	0.032	0.024	0.016	0.010	
SURFACE ROUGHNESS						
DYNAMIC SEALING FACE $\varnothing d_1$	μmRa	μmRt	μinCLA	μinRMS		
STATIC SEALING FACE $\varnothing D_1$	0.1 \checkmark 0.4	4 max	4 \checkmark 16	5 \checkmark 18		
STATIC HOUSING FACES L_1	1.6 max	10 max	63 max	70 max		
	3.2 max	16 max	125 max	140 max		
CHAMFERS & RADII						
GROOVE SECTION S mm	4.0	5.0	7.5	10.0	12.5	15.0
MIN CHAMFER C mm	3.0	3.5	5.0	6.5	7.0	8.0
MAX FILLET RAD r_1 mm	0.2	0.4	0.8	0.8	1.2	1.6
MAX FILLET RAD r_2 mm	0.4	0.8	1.2	1.2	1.6	2.4
GROOVE SECTION S in	0.125	0.187	0.250	0.312	0.375	0.500
MIN CHAMFER C in	0.093	0.093	0.125	0.156	0.187	0.217
MAX FILLET RAD r_1 in	0.008	0.008	0.016	0.016	0.032	0.032
MAX FILLET RAD r_2 in	0.016	0.016	0.032	0.032	0.047	0.047
TOLERANCES						
$\varnothing d_1$	$\varnothing D_1$	L_1 mm	L_1 in			
f9	Js11	+0.25 -0	+0.010 -0			



DESIGN

The Hallite 621 is a top of the range high pressure rod seal. The design of the seal incorporates a unique profiled NBR energiser to ensure complete lip actuation under all pressure conditions and to cushion the seal against shock loadings.

The shell is moulded in Hallite's high performance polyurethane Hythane 181, ensuring flexibility for installation and performance at low temperatures. The Hallite 621 also benefits from Hallite's twin lip profile for dry rod sealing.

FEATURES

- HIGH PRESSURE/SHOCK LOAD CAPABILITY
- TWIN LIP DESIGN OFFERING:
 - LOWER FRICTION
 - IMPROVED SEALING
 - PRIMARY LIP PROTECTION
 - INCREASED SEAL STABILITY
- POLYACETAL ANTI-EXTRUSION RING.

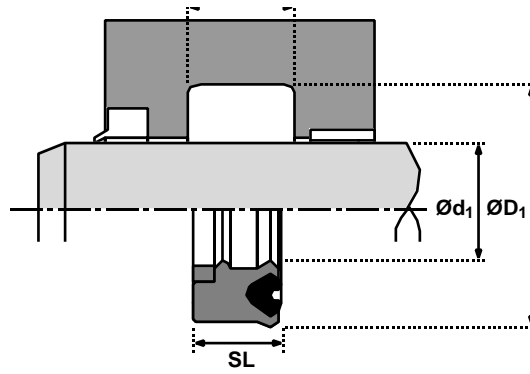
NB: Part numbers suffixed by "†" are designed to suit popular Asian housings.

Part numbers suffixed by "‡" indicate housing sizes to meet ISO5597.

Rod seals

621

metric



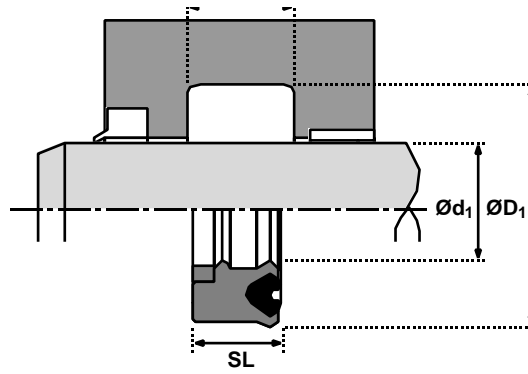
Ød ₁	TOL f9	ØD ₁	TOL Js11	SL	L ₁ +0.25-0	PART No.
30	-0.025 -0.087	40	+0.08 -0.08	7.3	8.0	4577110
35	-0.025 -0.087	50	+0.08 -0.08	9.5	10.5	4335310
36	-0.025 -0.087	46	+0.08 -0.08	7.3	8.0	4317010‡
40	-0.025 -0.087	50	+0.08 -0.08	7.3	8.0	4317110‡
45	-0.025 -0.087	55	+0.10 -0.10	7.3	8.0	4317210‡
45	-0.025 -0.087	60	+0.10 -0.10	11.4	12.5	4295510‡
50	-0.025 -0.087	60	+0.10 -0.10	7.3	8.0	4317310‡
50	-0.025 -0.087	65	+0.10 -0.10	11.4	12.5	4293410‡
55	-0.030 -0.104	70	+0.10 -0.10	11.4	12.5	4403610
56	-0.030 -0.104	71	+0.10 -0.10	11.4	12.5	4317410‡
60	-0.030 -0.104	73	+0.10 -0.10	13.0	14.0	4526010†
60	-0.030 -0.104	75	+0.10 -0.10	11.4	12.5	4298410
63	-0.030 -0.104	78	+0.10 -0.10	11.4	12.5	4317510‡
63	-0.030 -0.104	83	+0.11 -0.11	11.8	13.0	4520510†
70	-0.030 -0.104	85	+0.11 -0.11	11.4	12.5	4317610‡
75	-0.030 -0.104	88	+0.11 -0.11	13.0	14.0	4526110†
80	-0.030 -0.104	95	+0.11 -0.11	11.4	12.5	4317710‡
80	-0.030 -0.104	95	+0.11 -0.11	13.0	14.0	4540610†
85	-0.036 -0.123	100	+0.11 -0.11	13.0	14.0	4540710†

Ød ₁	TOL f9	ØD ₁	TOL Js11	SL	L ₁ +0.25-0	PART No.
90	-0.036 -0.123	105	+0.11 -0.11	11.4	12.5	4317810‡
90	-0.036 -0.123	105	+0.11 -0.11	13.0	14.0	4526310†
95	-0.036 -0.123	110	+0.11 -0.11	13.0	14.0	4540810†
100	-0.036 -0.123	115	+0.11 -0.11	13.0	14.0	4540910†
100	-0.036 -0.123	120	+0.11 -0.11	14.6	16.0	4317910‡
110	-0.036 -0.123	130	+0.13 -0.13	13.0	14.0	4541010†
110	-0.036 -0.123	130	+0.13 -0.13	14.6	16.0	4318010‡
120	-0.036 -0.123	135	+0.13 -0.13	14.6	16.0	4318110
120	-0.036 -0.123	140	+0.13 -0.13	13.0	14.0	4541110†
125	-0.043 -0.143	145	+0.13 -0.13	14.6	16.0	4318210‡
130	-0.043 -0.0143	150	+0.13 -0.13	14.6	16.0	4709810
140	-0.043 -0.143	160	+0.13 -0.13	13.0	14.0	4541210†
140	-0.043 -0.143	160	+0.13 -0.13	14.6	16.0	4318310‡
160	-0.043 -0.143	180	+0.13 -0.13	14.6	16.0	4454810
160	-0.043 -0.143	185.0	+0.15 -0.15	14.5	16.0	4723410
180	-0.050 -0.165	200	+0.15 -0.15	14.6	16.0	4454910
200	-0.050 -0.165	220	+0.15 -0.15	14.6	16.0	4455110
215	-0.050 -0.165	235	+0.15 -0.15	14.6	16.0	4705610

Rod seals

621

inch



Ød ₁	TOL f ₉	ØD ₁	TOL Js11	SL	L ₁ +0.010 -0	PART No.
1.375	-0.0010 -0.0034	1.875	+0.003 -0.003	0.375	0.413	4707710
1.500	-0.0010 -0.0034	1.875	+0.003 -0.003	0.250	0.275	4484410
1.500	-0.0010 -0.0034	1.875	+0.003 -0.003	0.312	0.344	4484510
1.500	-0.0010 -0.0034	2.000	+0.004 -0.004	0.375	0.413	4484910
1.750	-0.0010 -0.0034	2.125	+0.004 -0.004	0.250	0.275	4484610
1.750	-0.0010 -0.0034	2.125	+0.004 -0.004	0.375	0.413	4484710
1.750	-0.0010 -0.0034	2.250	+0.004 -0.004	0.375	0.413	4485010
2.000	-0.0012 -0.0041	2.375	+0.004 -0.004	0.375	0.413	4484810
2.000	-0.0012 -0.0041	2.500	+0.004 -0.004	0.375	0.413	4485110
2.125	-0.0012 -0.0041	2.625	+0.004 -0.004	0.375	0.413	4592510
2.250	-0.0012 -0.0041	2.750	+0.004 -0.004	0.375	0.413	4485210
2.375	-0.0012 -0.0041	2.875	+0.004 -0.004	0.375	0.413	4485310
2.500	-0.0012 -0.0041	3.000	+0.004 -0.004	0.375	0.413	4485410
2.750	-0.0012 -0.0041	3.250	+0.004 -0.004	0.375	0.413	4485510
3.000	-0.0012 -0.0041	3.500	+0.004 -0.004	0.375	0.413	4485610
3.000	-0.0012 -0.0041	3.625	+0.004 -0.004	0.500	0.550	4486810
3.000	-0.0012 -0.0041	3.750	+0.004 -0.004	0.625	0.688	4489310
3.250	-0.0014 -0.0048	3.750	+0.004 -0.004	0.375	0.413	4485710
3.500	-0.0014 -0.0048	4.000	+0.004 -0.004	0.375	0.413	4485810
3.500	-0.0014 -0.0048	4.125	+0.004 -0.004	0.500	0.550	4486910

Ød ₁	TOL f ₉	ØD ₁	TOL Js11	SL	L ₁ +0.010 -0	PART No.
3.500	-0.0014 -0.0048	4.250	+0.004 -0.004	0.625	0.688	4573610
3.750	-0.0014 -0.0048	4.125	+0.004 -0.004	0.375	0.413	4709310
4.000	-0.0014 -0.0048	4.500	+0.004 -0.004	0.375	0.413	4486010
4.000	-0.0014 -0.0048	4.500	+0.004 -0.004	0.562	0.619	4486110
4.000	-0.0014 -0.0048	4.625	+0.004 -0.004	0.562	0.619	4487010
4.000	-0.0014 -0.0048	4.750	+0.005 -0.005	0.625	0.688	4483310
4.500	-0.0014 -0.0048	5.000	+0.005 -0.005	0.375	0.413	4486210
4.500	-0.0014 -0.0048	5.000	+0.005 -0.005	0.562	0.619	4486310
4.500	-0.0014 -0.0048	5.125	+0.005 -0.005	0.625	0.688	4486410
4.500	-0.0014 -0.0048	5.250	+0.005 -0.005	0.625	0.688	4483410
5.000	-0.0017 -0.0056	5.500	+0.005 -0.005	0.562	0.619	4486510
5.000	-0.0017 -0.0056	5.625	+0.005 -0.005	0.625	0.688	4487110
5.000	-0.0017 -0.0056	5.750	+0.005 -0.005	0.625	0.688	4483510
5.500	-0.0017 -0.0056	6.000	+0.005 -0.005	0.562	0.619	4486610
6.000	-0.0017 -0.0056	6.500	+0.005 -0.005	0.562	0.619	4486710
6.000	-0.0017 -0.0056	6.750	+0.005 -0.005	0.625	0.688	4487210
7.000	-0.0017 -0.0056	7.750	+0.005 -0.005	0.625	0.688	4588210
8.000	-0.0020 -0.0065	8.750	+0.006 -0.006	0.625	0.688	4573210
8.500	-0.0020 -0.0065	9.250	+0.006 -0.006	0.625	0.688	4745010