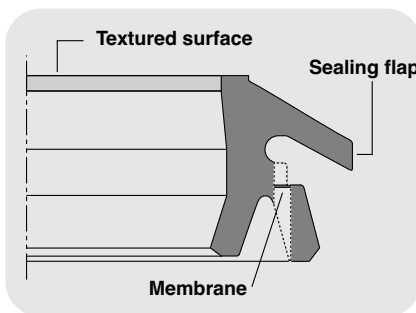
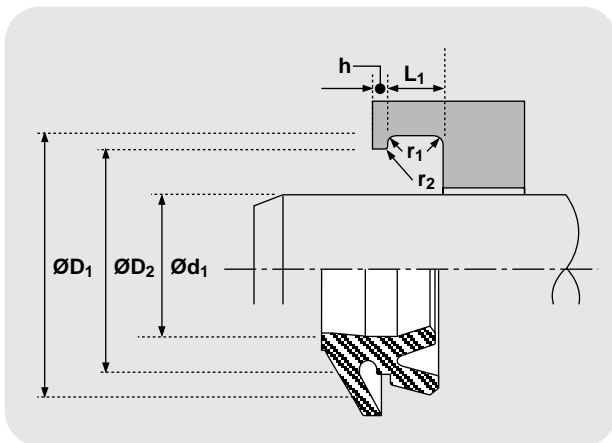


6
4
8

TECHNICAL DETAILS		METRIC	INCH	
OPERATING CONDITIONS				
MAXIMUM SPEED		4.0 m/sec	12.0 ft/sec	
TEMPERATURE RANGE		-45°C + 110°C	-50°F + 230°F	
SURFACE ROUGHNESS				
DYNAMIC SEALING FACE $\varnothing d_1$		μmRa 0.1 ↔ 0.4	μmRt 4 max	μinCLA 4 ↔ 16
STATIC SEALING FACE $\varnothing D_1$ $\varnothing D_2$		1.6 max	10 max	μinRMS 5 ↔ 18
STATIC HOUSING FACES L_1		3.2 max	16 max	63 max 70 max 125 max 140 max
RADII				
ROD DIAMETER $\varnothing d_1$ mm		≤ 90	>90	
MAX FILLET RAD r_1 mm		0.4	0.4	
MAX FILLET RAD r_2 mm		0.2	0.4	
TOLERANCES				
	mm	$\varnothing d_1$	$\varnothing D_1$	$\varnothing D_2$
		±9	H11	H11
			L_1	L_2
			+0.2 -0	+0.2 -0



DESIGN

The Hallite 846 wiper is designed to exclude dirt and moisture from entering the cylinder and to collect traces of fluid passing the rod seal.

One special feature of the wiper design are the thin membranes which burst when excessive fluid pressure is trapped between the wiper and the rod seal and prevent the wiper being forced out of its housing. After release of this pressure, the membranes close to protect against contamination from the outside. This feature removes the requirement for an expensive vent hole in the gland.

A second feature is the sealing flap on the wiping lip that completely seals the metal housing groove, preventing the ingress of dirt and moisture around the outside diameter of the wiper.

Precision moulded in Hallite's high performance polyurethane, Hythane 181, for maximum wear resistance and temperature range, the wiper is designed to remove lightly adhered dirt, dust and moisture from the rod.

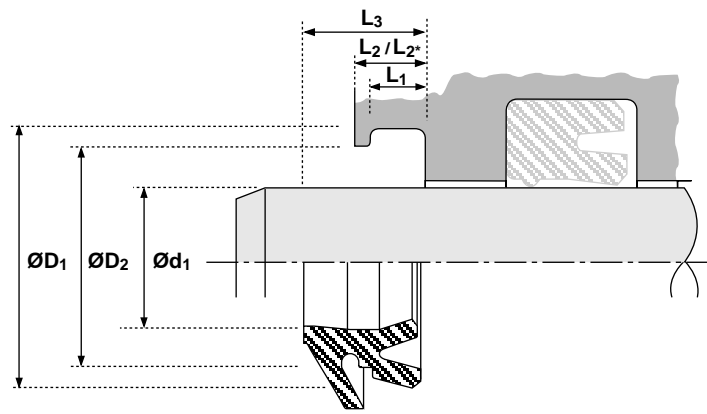
FEATURES

- TWIN LIP - NO LEAKAGE
- TRAPPED PRESSURE AUTOMATICALLY RELEASED THROUGH BURSTING MEMBRANES
- NO PUSH OUT OF THE WIPER THROUGH BUILD UP OF PRESSURE
- NO GLAND VENT HOLE NECESSARY
- SEALING FLAP PROTECTS AGAINST INGRESS OF DIRT AND MOISTURE AROUND THE OUTSIDE DIAMETER

Wipers

846

metric



Ød ₁	TOL f ₉	ØD ₁	TOL H11	ØD ₂	TOL H11	L ₁ +0.2 - 0	L ₂ +0.2 - 0	L ₂ * +0.2 - 0	L ₃	PART No.
25	-0.020 -0.072	33.0	+0.16 +0.00	31.0	+0.16 +0.00	4.0	5.0	6.0	8.7	4556600
26	-0.020 -0.072	34.0	+0.16 +0.00	32.0	+0.16 +0.00	4.0	5.0	6.0	8.7	4588700
28	-0.020 -0.072	36.0	+0.16 +0.00	34.0	+0.16 +0.00	4.0	5.0	6.0	8.7	4556700
30	-0.020 -0.072	38.0	+0.16 +0.00	36.0	+0.16 +0.00	4.0	5.0	6.0	8.7	4584500
32	-0.025 -0.087	40.0	+0.16 +0.00	38.0	+0.16 +0.00	4.0	5.0	6.0	8.7	4568900
36	-0.025 -0.087	44.0	+0.16 +0.00	42.0	+0.16 +0.00	4.0	5.0	6.0	8.7	4588800
40	-0.025 -0.087	48.0	+0.16 +0.00	46.0	+0.16 +0.00	4.0	5.0	6.0	8.7	4549200
45	-0.025 -0.087	53.0	+0.19 +0.00	51.0	+0.19 +0.00	4.0	5.0	6.0	8.7	4589900
50	-0.025 -0.087	58.0	+0.19 +0.00	56.0	+0.19 +0.00	4.0	5.0	6.0	8.7	4597200
56	-0.030 -0.104	64.0	+0.19 +0.00	62.0	+0.19 +0.00	4.0	5.0	6.0	8.7	4588900
60	-0.030 -0.104	68.0	+0.19 +0.00	66.0	+0.19 +0.00	4.0	5.0	6.0	8.7	4596600
63	-0.030 -0.104	71.0	+0.19 +0.00	69.0	+0.19 +0.00	4.0	5.0	6.0	8.7	4749600
65	-0.030 -0.104	73.0	+0.19 +0.00	71.0	+0.19 +0.00	4.0	5.0	6.0	8.7	4597500
70	-0.030 -0.104	78.0	+0.19 +0.00	76.0	+0.19 +0.00	4.0	5.0	6.0	8.7	4556800
75	-0.030 -0.104	83.0	+0.22 +0.00	81.0	+0.19 +0.00	4.0	5.0	6.0	8.7	4597600
80	-0.030 -0.104	88.0	+0.22 +0.00	86.0	+0.22 +0.00	4.0	5.0	6.0	8.7	4590000
90	-0.036 -0.123	98.0	+0.22 +0.00	96.0	+0.22 +0.00	4.0	5.0	6.0	8.7	4557700
100	-0.036 -0.123	110.0	+0.22 -0.00	107.0	+0.22 -0.00	6.3	8.1		11.7	4723600

NB - The housing length shows options for L₂ and L₂* .
L₂ is the preferred dimension but either can be used.