

Pneumatic Piston Seals

Technical details

Metric

Inch

Operating conditions

Maximum Speed	1.0 m/sec
Temperature Range	-45°C +80°C
Maximum Pressure	16 bar

3.0 ft/sec
-50°F +180°F
230 p.s.i.

Surface roughness

	µmRa	µmRt
Dynamic Sealing Face $\varnothing D_1$	0.1 <> 0.4	4 max
Static Sealing Face $\varnothing d_1$	1.6 max	10 max
Static Housing Faces L_1	3.2 max	16 max

	µinCLA	µinRMS
4 <> 16	5 <> 18	
63 max	70 max	
125 max	140 max	

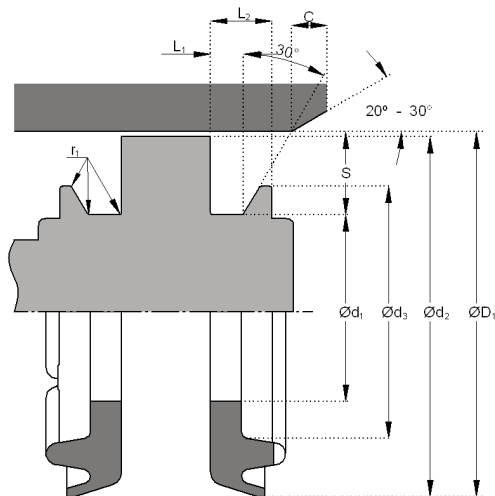
Chamfers & Radii

Groove Section $\leq S$ in	0.500	0.750
Min Chamfer C in	0.270	0.315
Max Fillet Rad r_1 in	0.016	0.016

Tolerances

	$\varnothing D_1$	$\varnothing d_1$	$\varnothing d_2$	$\varnothing d_3$	L_1	L_2
in	+0.002-0	+0 -0.005	+0 -0.002	+0 -0.005	+0.005 -0	+/-0.005

667



Design

The Hallite 667 uses the well established sealing lip of the Hallite 607 pneumatic piston seal in a construction that provides additional cushioning for a pneumatic cylinder. Made from Hallite® 181 material, the design incorporates buffers, which reduce the likelihood of metal contact at the end stroke of a cylinder, particularly if the retardation of the piston by the pneumatic cushion is insufficient. In turn, this additional buffering will reduce end stroke noise.

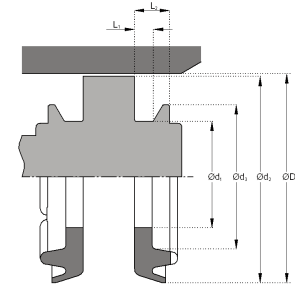
Features

- Effective sealing
- Low friction
- Easy installation
- Excellent temperature range
- Reduced cylinder noise



Pneumatic Piston Seals inch

667



OD_1 +0.002-0	d_1 +0 -0.005	d_2 +0 -0.002	d_3 +0 -0.005	L_1 +0.005 -0	L_2 +/- 0.005	PART No
1.500	0.810	1.498	1.050	0.138	0.256	4788800
2.000	1.202	1.998	1.440	0.138	0.256	4779800
2.500	1.640	2.498	1.925	0.157	0.315	4773100
3.250	2.150	3.247	2.550	0.157	0.315	4788900
4.000	2.810	3.995	3.268	0.157	0.315	4789000
5.000	3.525	4.995	4.095	0.197	0.375	4789100



Seal & Design
Corporate Headquarters
 Ph: (716)-759-3344
 Info@SealAndDesign.com
 www.SealAndDesign.com