

Design

The Hallite 52 is a two piece piston seal for heavy duty applications which, when installed in pairs, provides an excellent double-acting piston design. It is suitable for difficult operating conditions such as pressure surging, vibration or some misalignment.

Both parts are manufactured from rubberised fabric which gives strength and durability and retains lubrication to keep friction low and reduce wear.

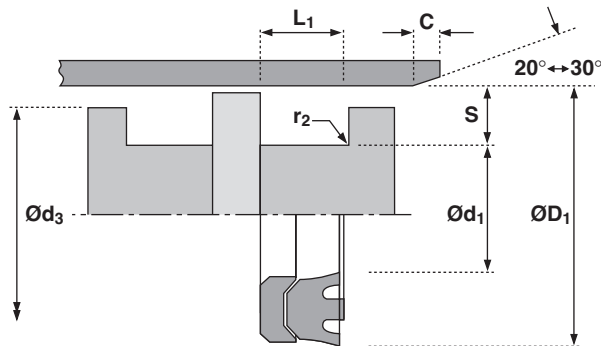
By extending the centre of the seal past the sealing edges, they are protected from damage should inter-seal pressure force the seal against the housing wall. Grooves across the protruding face allow pressure to reach both sealing edges.

The support ring is manufactured from a hard rubberised fabric to protect the seal from extrusion damage. The 'U' shape of the ring provides a secondary seal as pressure deforms the lips to increase the sealing area.

NB: Part numbers suffixed by "±" indicate housing sizes to meet ISO 5597.

Features

- Effective seal for extreme applications
- Precision moulded vee packs
- High load capability
- Pressure activating grooves



Technical details

Operating conditions

Maximum Speed	0.8 m/sec
Temperature Range	-30°C +100°C
Maximum Pressure	600 bar

Inch

2.4 ft/sec
-22°F +212°F
9000 p.s.i.

Maximum extrusion gap

Pressure bar	160	250	400	600
Maximum Gap mm	0.35	0.3	0.2	0.1
Pressure p.s.i.	2400	3750	6000	9000

Figures show the maximum permissible gap all on one side using minimum rod Ø and maximum clearance Ø. Refer to Housing Design section.

Surface roughness

	µmRa	µmRt	µinCLA	µinRMS
Dynamic Sealing Face ØD ₁	0.1 < > 0.4	4 max	4 < > 16	5 < > 18
Static Sealing Face Ød ₁	1.6 max	10 max	63 max	70 max
Static Housing Faces L ₁	3.2 max	16 max	125 max	140 max

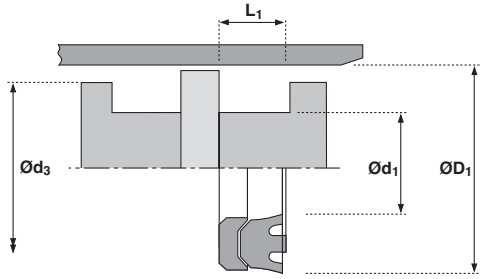
Chamfers & Radii

Groove Section ≤ S mm	5.0	7.5	10.0	12.5	15.0
Min Chamfer C mm	2.5	4.0	5.0	6.5	7.5
Max Fillet Rad r ₁ mm	0.8	0.8	0.8	1.2	1.6

Tolerances

	ØD ₁	Ød ₁	Ød ₃	L ₁
mm	H9	h11	+0 -0.3	+0.3 -0





ØD ₁	TOL H9	Ød ₁	TOL h11	Ød ₃ +0 -0.3	L ₁ +0.3 -0	PART No.
25	+0.05 +0.00	15	+0.00 -0.11	24.0	6.30	6619810‡
32	+0.06 +0.00	20	+0.00 -0.13	31.0	7.80	1791610
32	+0.06 +0.00	22	+0.00 -0.13	31.0	6.30	6619910‡
40	+0.06 +0.00	25	+0.00 -0.13	39.0	10.00	2149810
40	+0.06 +0.00	30	+0.00 -0.13	39.0	6.30	6620010‡
45	+0.06 +0.00	30	+0.00 -0.13	44.0	10.00	2150010
50	+0.06 +0.00	35	+0.00 -0.16	49.0	9.50	2150210‡
55	+0.07 +0.00	40	+0.00 -0.16	54.0	10.00	2150410
60	+0.07 +0.00	45	+0.00 -0.16	59.0	10.00	2150610
63	+0.07 +0.00	48	+0.00 -0.16	62.0	9.50	2150810‡
70	+0.07 +0.00	50	+0.00 -0.16	68.5	13.00	2151010
80	+0.07 +0.00	60	+0.00 -0.19	78.5	12.50	2151210‡
90	+0.09 +0.00	70	+0.00 -0.19	88.5	13.00	2151410

ØD ₁	TOL H9	Ød ₁	TOL h11	Ød ₃ +0 -0.3	L ₁ +0.3 -0	PART No.
100	+0.09 +0.00	80	+0.00 -0.19	98.5	12.50	2151610‡
110	+0.09 +0.00	90	+0.00 -0.22	108.5	13.00	2151810
125	+0.10 +0.00	100	+0.00 -0.22	123.5	16.00	2152010‡
140	+0.10 +0.00	115	+0.00 -0.22	138.5	16.20	2152210
160	+0.10 +0.00	130	+0.00 -0.25	158.0	19.80	2152410
160	+0.10 +0.00	135	+0.00 -0.25	158.0	16.00	6620110‡
180	+0.10 +0.00	150	+0.00 -0.25	178.0	19.80	2152610
200	+0.12 +0.00	170	+0.00 -0.25	198.0	20.00	2152810‡
225	+0.12 +0.00	195	+0.00 -0.29	223.0	19.80	2197010
250	+0.12 +0.00	220	+0.00 -0.29	248.0	20.00	2197210‡
275	+0.13 +0.00	245	+0.00 -0.29	273.0	19.80	2197410
300	+0.13 +0.00	270	+0.00 -0.32	298.0	19.80	2188310



Seal & Design
Corporate Headquarters
 Ph: (716)-759-3344
 Info@SealAndDesign.com
 www.SealAndDesign.com