



## Rod Seals

### Technical details

#### Operating conditions

	Metric	Inch
Maximum Speed	1.0 m/sec	3.0 ft/sec
Temperature Range	-45°C +110°C	-50°F +230°F
Maximum Pressure	250 bar	3500 p.s.i.

#### Maximum extrusion gap

	Metric	Inch
Pressure bar	160	250
Maximum Gap mm	0.6	0.5
Pressure p.s.i.	2400	3750

#### Surface roughness

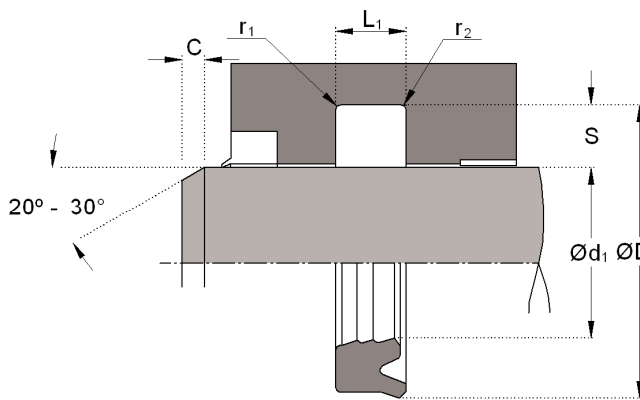
	µmRa	µmRt	µinCLA	µinRMS
Dynamic Sealing Face $\varnothing d_1$	0.1 <> 0.4	4 max	4 <> 16	5 <> 18
Static Sealing Face $\varnothing D_1$	1.6 max	10 max	63 max	70 max
Static Housing Faces L <sub>1</sub>	3.2 max	16 max	125 max	140 max

#### Chamfers & Radii

	Metric	Inch	Inch
Groove Section $\leq S$ mm	4.0	5.0	7.5
Min Chamfer C mm	3.0	3.5	5.0
Max Fillet Rad r <sub>1</sub> mm	0.2	0.4	0.8
Max Fillet Rad r <sub>2</sub> mm	0.4	0.8	1.2

#### Tolerances

	Metric	Inch	Inch
$\varnothing d_1$	f9	J511	L1 mm
			+0.25 -0



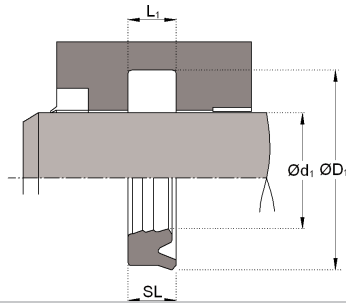
### Design

The Hallite 617 'Multilip' seal is an asymmetric rod seal specifically developed to meet the requirements of ISO 6020-2 160 bar compact cylinders. The housing sizes confirm to those given for such cylinders in ISO 5597.

Manufactured in black version of Hallite's high performance polyurethane Hythane® 181, the type 617 is an extremely flexible seal making installation very easy. The sealing lips are precision trimmed for consistent sealing performance.



### Rod Seals metric



# 617

Ød <sub>1</sub>	TOL f9	ØD <sub>1</sub>	TOL Js11	SL	L <sub>1</sub> +0.25-0	PART No.
12	-0.016 -0.059	19	+0.07 -0.07	5.0	5.6	9900000
14	-0.016 -0.059	21	+0.07 -0.07	5.0	5.6	9900500
18	-0.016 -0.059	25	+0.07 -0.07	5.0	5.6	9901000
22	-0.020 -0.072	29	+0.07 -0.07	5.0	5.6	9901500
28	-0.020 -0.072	36	+0.08 -0.08	5.7	6.3	9902000
36	-0.025 -0.087	44	+0.08 -0.08	5.7	6.3	9902500

Ød <sub>1</sub>	TOL f9	ØD <sub>1</sub>	TOL Js11	SL	L <sub>1</sub> +0.25-0	PART No.
45	-0.025 -0.087	53	+0.10 -0.10	5.7	6.3	9903000
56	-0.003 -0.104	66	+0.10 -0.10	6.5	7.5	9903500
70	-0.003 -0.104	80	+0.10 -0.10	6.5	7.5	9904000
90	-0.036 -0.123	100	+0.11 -0.11	6.5	7.5	9904500
110	-0.036 -0.123	125	+0.13 -0.13	9.6	10.6	9905000
140	-0.043 -0.143	155	+0.13 -0.13	9.6	10.6	9905500

**Seal & Design  
Able Division**  
5533 Steeles Avenue West Unit 11  
Toronto, Ontario M9L 1S7  
Ph: (416) 741-0750  
Gasket@AbleSealAndDesign.com

**Seal & Design  
Corporate Headquarters**  
4015 Casilio Parkway  
Clarence, NY 14031  
Ph: (716) 759-2222  
Info@SealAndDesign.com  
[www.SealAndDesign.com](http://www.SealAndDesign.com)

**Seal & Design  
Higbee Division**  
6741 Thompson Rd N  
Syracuse, NY 13221  
Ph: (315) 432-8021  
Sales@Higbee-Inc.com