



Design

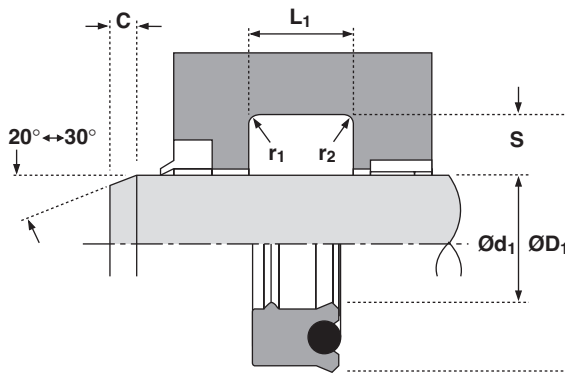
Hallite's 620 design incorporates features from the Hallite 621 to provide a twin lip alternative to Hallite's 500 series products.

The shell is moulded in Hallite's high performance polyurethane - Hythane® 181 - ensuring flexibility for easy installation and performance at low temperatures.

The 620 benefits from the Hallite's twin lip profile for dry rod sealing.

Features

- Easy installation
- Improved shock handling
- Twin-lip design offering Lower friction Primary lip protection Increased seal stability
- Complete lip actuation



Technical details

Operating conditions

Maximum Speed	1.0 m/sec
Temperature Range	-45°C +110°C
Maximum Pressure	400 bar*

Inch

Maximum Speed	3.0 ft/sec
Temperature Range	-50°F +230°F
Maximum Pressure	6000 p.s.i.

Maximum extrusion gap

Pressure bar	160	250	400
Maximum Gap mm	0.6	0.5	0.4
Pressure p.s.i.	2400	3750	6000
Maximum Gap in	0.024	0.020	0.016

Figures show the maximum permissible gap all on one side using minimum rod Ø and maximum clearance Ø. Refer to Housing Design section.

Surface roughness

Dynamic Sealing Face ØD ₁	µmRa 0.1 <> 0.4	µmRt 4 max	µinCLA 4 <> 16	µinRMS 5 <> 18
Static Sealing Face Ød ₁	1.6 max	10 max	63 max	70 max
Static Housing Faces L ₁	3.2 max	16 max	125 max	140 max

Chamfers & Radii

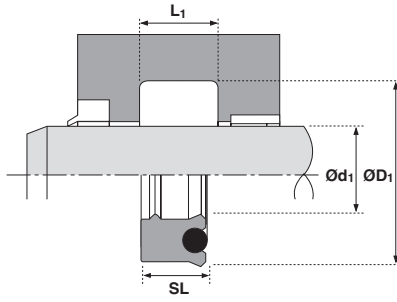
Groove Section ≤ S in	0.125	0.187
Min Chamfer C in	0.093	0.093
Max Fillet Rad r ₁ in	0.008	0.008
Max Fillet Rad r ₂ in	0.016	0.016

Tolerances

Ød ₁	ØD ₁	L ₁ in
f9	Js11	+0.010 -0



rod seals



Ød ₁	TOL f9	ØD ₁	TOL Js11	SL	L ₁ +0.010 -0	PART No.
0.625	-0.0006 -0.0023	0.875	+0.003 -0.003	0.160	0.176	4498600
0.625	-0.0006 -0.0023	0.875	+0.003 -0.003	0.175	0.190	4528700
0.625	-0.0006 -0.0023	0.875	+0.003 -0.003	0.250	0.275	4459900
0.750	-0.0008 -0.0028	1.000	+0.003 -0.003	0.187	0.207	4583900
0.750	-0.0008 -0.0028	1.000	+0.003 -0.003	0.250	0.275	4498500
0.875	-0.0008 -0.0028	1.125	+0.003 -0.003	0.187	0.207	4709100
1.000	-0.0008 -0.0028	1.240	+0.003 -0.003	0.187	0.217	4477200
1.000	-0.0008 -0.0028	1.250	+0.003 -0.003	0.187	0.207	4457500
1.000	-0.0008 -0.0028	1.250	+0.003 -0.003	0.250	0.275	4498400
1.000	-0.0008 -0.0028	1.375	+0.003 -0.003	0.250	0.275	4410400

Ød ₁	TOL f9	ØD ₁	TOL Js11	SL	L ₁ +0.010 -0	PART No.
1.000	-0.0008 -0.0028	1.375	+0.003 -0.003	0.312	0.344	4584000
1.125	-0.0010 -0.0034	1.375	+0.003 -0.003	0.250	0.275	4461100
1.125	-0.0010 -0.0034	1.500	+0.003 -0.003	0.250	0.275	4410500
1.250	-0.0010 -0.0034	1.500	+0.003 -0.003	0.187	0.207	4398900
1.250	-0.0010 -0.0034	1.500	+0.003 -0.003	0.250	0.275	4461000
1.250	-0.0010 -0.0034	1.625	+0.003 -0.003	0.312	0.344	4410600
1.375	-0.0010 -0.0034	1.750	+0.003 -0.003	0.312	0.344	4410700
1.500	-0.0010 -0.0034	1.875	+0.003 -0.003	0.375	0.413	4750600
1.750	-0.0010 -0.0034	2.125	+0.004 -0.004	0.375	0.413	4460000

**Seal & Design
Able Division**

5533 Steeles Avenue West Unit 11
Toronto, Ontario M9L 1S7
Ph: (416) 741-0750
Gasket@AbleSealAndDesign.com

**Seal & Design
Corporate Headquarters**

4015 Casilio Parkway
Clarence, NY 14031
Ph: (716) 759-2222
Info@SealAndDesign.com
www.SealAndDesign.com

**Seal & Design
Higbee Division**

6741 Thompson Rd N
Syracuse, NY 13221
Ph: (315) 432-8021
Sales@Higbee-Inc.com