



Rod Seals

Technical details

Operating conditions

	Metric	Inch
Maximum Speed	1.0 m/sec	3.0 ft/sec
Temperature Range	-45°C +110°C	-50°F +230°F
Maximum Pressure	400 bar	6000 p.s.i.

Maximum extrusion gap

	160	250	400
Pressure bar	160	250	400
Maximum Gap in	0.024	0.020	0.016
Pressure p.s.i.	2400	3750	6000

Surface roughness

	µmRa	µmRt	µinCLA	µinRMS
Dynamic Sealing Face $\varnothing d_1$	0.1 <-> 0.4	4 max	4 <-> 16	5 <-> 18
Static Sealing Face $\varnothing D_1$	1.6 max	10 max	63 max	70 max
Static Housing Faces L_1	3.2 max	16 max	125 max	140 max

Chamfers & Radii

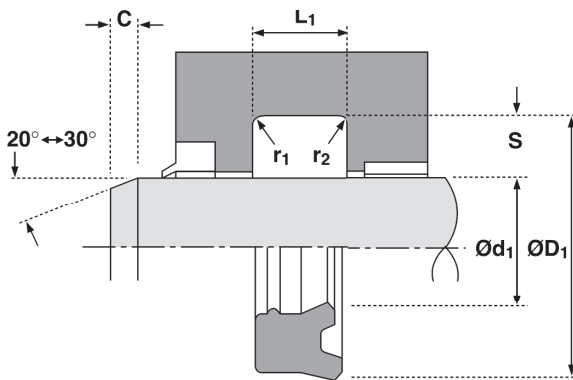
	0.125	0.187	0.250
Groove Section $\leq S$ in	0.125	0.187	0.250
Min Chamfer C in	0.093	0.093	0.125
Max Fillet Rad r_1 in	0.008	0.008	0.016
Max Fillet Rad r_2 in	0.016	0.016	0.0325

Tolerances

	$\varnothing d_1$	$\varnothing D_1$	L_1
in	f9	Js11	+0.010 -0



859



Design

The Hallite 658 is an asymmetric seal designed specifically to replace an O ring and one back up sealing arrangement.

Manufactured in Hallite's high performance polyurethane - Hythane® 181, the Hallite 658 is an extremely flexible seal making installation very easy.

See Hallite 605 for more details.

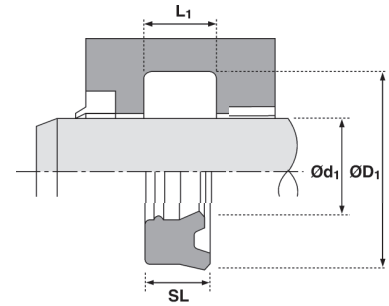
Features

- Twin lip design offering:
 - Lower friction,
 - Improved sealing,
 - Primary lip protection,
 - Increased seal stability.
- Easy installation



Rod Seals inch

658



Ød ₁	TOL f9	ØD ₁	TOL Js11	SL	L ₁ +0.010 -0	PART No.
0.750	-0.0008 -0.0028	0.937	+0.003 -0.003	0.156	0.172	4472400
0.875	-0.0008 -0.0028	1.125	+0.003 -0.003	0.187	0.207	4527500
1.000	-0.0008 -0.0028	1.250	+0.003 -0.003	0.187	0.207	4569000
1.062	-0.0008 -0.0028	1.302	+0.003 -0.003	0.187	0.207	4549400
1.125	-0.0010 -0.0034	1.368	+0.003 -0.003	0.187	0.207	4466200
1.250	-0.0010 -0.0034	1.491	+0.003 -0.003	0.197	0.217	4359610
1.250	-0.0010 -0.0034	1.625	+0.003 -0.003	0.375	0.413	4747600
1.375	-0.0010 -0.0034	1.616	+0.003 -0.003	0.197	0.217	4392210

Ød ₁	TOL f9	ØD ₁	TOL Js11	SL	L ₁ +0.010 -0	PART No.
1.375	-0.0010 -0.0034	1.750	+0.003 -0.003	0.375	0.413	4747700
1.500	-0.0010 -0.0034	1.743	+0.003 -0.003	0.187	0.207	4480600
1.500	-0.0010 -0.0034	1.872	+0.003 -0.003	0.295	0.324	4386020
1.500	-0.0010 -0.0034	1.875	+0.003 -0.003	0.375	0.413	4747800
1.750	-0.0010 -0.0034	2.119	+0.004 -0.004	0.281	0.311	4456200
1.875	-0.0010 -0.0034	2.246	+0.004 -0.004	0.281	0.311	4576700
2.000	-0.0012 -0.0041	2.371	+0.004 -0.004	0.281	0.311	4466300
2.500	-0.0012 -0.0041	2.871	+0.004 -0.004	0.281	0.311	4576800

**Seal & Design
Able Division**

5533 Steeles Avenue West Unit 11
Toronto, Ontario M9L 1S7
Ph: (416) 741-0750
Gasket@AbleSealAndDesign.com

**Seal & Design
Corporate Headquarters**

4015 Casilio Parkway
Clarence, NY 14031
Ph: (716) 759-2222
Info@SealAndDesign.com
www.SealAndDesign.com

**Seal & Design
Higbee Division**

6741 Thompson Rd N
Syracuse, NY 13221
Ph: (315) 432-8021
Sales@Higbee-Inc.com