



## Rod/Piston Seal

### Technical details

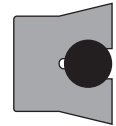
Metric

Inch

#### Operating conditions

Maximum Speed  
Temperature Range  
Maximum Pressure

Operating conditions and maximum extrusion gap are dependent on type of material used.



#### Maximum Extrusion Gap

For further information contact your local Hallite sales office.

#### Surface roughness

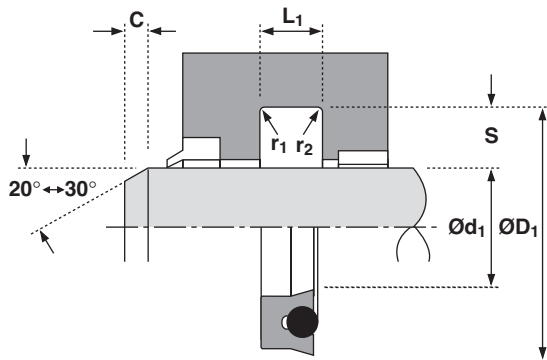
	µmRa	µmRt	µinCLA	µinRMS
Dynamic Sealing Face Rod $\varnothing d_1$	0.1 < > 0.4	4 max	4 < > 16	5 < > 18
Static Sealing Face Rod $\varnothing D_1$	1.6 max	10 max	63 max	70 max
Dynamic Sealing Face Piston $\varnothing d_1$	0.1 < > 0.4	4 max	4 < > 16	5 < > 18
Static Sealing Face Piston $\varnothing D_1$	1.6 max	10 max	63 max	70 max
Static Housing Faces $L_1$	3.2 max	16 max	125 max	140 max

#### Chamfers & Radii

Groove Section $\leq S$ in	0.125	0.187	0.250	0.312	0.375	0.500	0.625
Min Chamfer C in	0.093	0.093	0.125	0.156	0.187	0.187	0.217
Max Fillet Rad $r_1$ in	0.008	0.008	0.016	0.032	0.032	0.032	0.047
Max Fillet Rad $r_2$ in	0.016	0.016	0.032	0.047	0.047	0.047	0.062

#### Tolerances

Please refer to specified tolerances on the Hallite 500 Series details



### Design

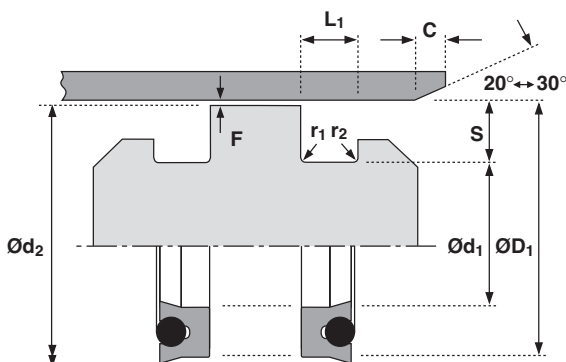
The O ring Loaded Lip Seal (OL) is a molded seal with medium unit loading that offers good wear and contamination resistance. It is available in many elastomer (rubber) compounds.

### Features

- Available in high temperature HNBR and genuine Viton®. Available upon request.
- Good wear characteristics
- Contamination resistance

## ORDERING INFORMATION

For further information contact your local Hallite sales office.



### Seal & Design Able Division

5533 Steeles Avenue West Unit 11  
Toronto, Ontario M9L 1S7  
Ph: (416) 741-0750  
Gasket@AbleSealAndDesign.com

### Seal & Design Corporate Headquarters

4015 Casilio Parkway  
Clarence, NY 14031  
Ph: (716) 759-2222  
Info@SealAndDesign.com  
www.SealAndDesign.com

### Seal & Design Higbee Division

6741 Thompson Rd N  
Syracuse, NY 13221  
Ph: (315) 432-8021  
Sales@Higbee-Inc.com

OL