



## Design

The Hallite 80 rotary pressure seal is a seal designed specifically for use in hydraulic swivel joints.

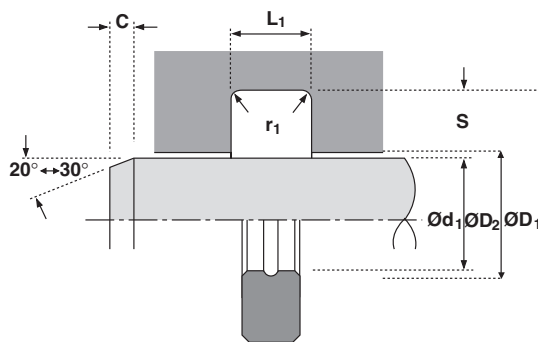
The Hallite 80 is manufactured in Hallite's high specification polyurethane, Hythane® 181, to provide ease of installation and excellent sealing characteristics.

The elastic and flexible nature of the Hythane® material enables the Hallite 80 to be easily fitted in its groove. The Hallite 80 swivel seal is a one-piece double acting seal and replaces two part seals typically used in swivel joints. The hardwearing nature of Hallite's Hythane® material provides long life in service.

Special pressure activation grooves are incorporated in the seal's design to enable an immediate seal of the joint.

### Features

- Easy installation into groove
- Replaces two-part seals
- Hardwearing
- Instant sealing
- Excellent service range



### Technical details

#### Operating conditions

Maximum Speed	0.1 m/sec
Temperature Range	-30°C + 80°C
Maximum Pressure	350 bar

#### Inch

0.3 ft/sec
-22°F +76°F
5000 p.s.i.

#### Surface roughness

	µmRa	µmRt
Dynamic Sealing Face Ød <sub>1</sub>	0.1 < > 0.4	4 max
Static Sealing Face ØD <sub>1</sub>	1.6 max	10 max
Static Housing Faces L <sub>1</sub>	3.2 max	16 max

	µinCLA	µinRMS
4 < > 16	5 < > 18	
63 max	70 max	
125 max	140 max	

#### Chamfers & Radii

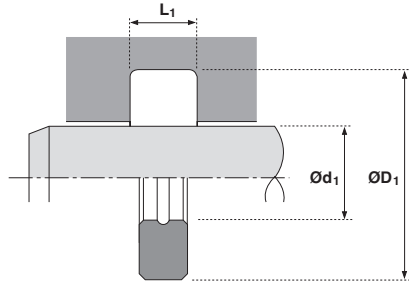
Groove Section ≤ S mm	5.2
Min Chamfer C mm	2.4
Max Fillet Rad r <sub>1</sub> mm	0.4

#### Tolerances

Ød <sub>1</sub>	ØD <sub>1</sub>	ØD <sub>2</sub>	L <sub>1</sub> mm
f8	H10	H8	+0.3 -0



rotary pressure seal



Ød <sub>1</sub>	TOL f8	ØD <sub>1</sub>	TOL H10	L <sub>1</sub> +0.3 -0.0	PART No.
57.20	-0.030 -0.076	70.00	+0.14 -0.00	7.50	4563000
80.00	-0.030 -0.076	90.00	+0.14 -0.00	5.00	4563000
90.00	-0.036 -0.090	100.00	+0.14 -0.00	5.00	4563100

Ød <sub>1</sub>	TOL f8	ØD <sub>1</sub>	TOL H10	L <sub>1</sub> +0.3 -0.0	PART No.
100.00	-0.036 -0.090	110.00	+0.14 -0.00	5.00	4563200
125.00	-0.043 -0.106	135.40	+0.16 -0.00	5.00	4578800

**Seal & Design  
Able Division**

5533 Steeles Avenue West Unit 11  
Toronto, Ontario M9L 1S7  
Ph: (416) 741-0750  
Gasket@AbleSealAndDesign.com

**Seal & Design  
Corporate Headquarters**

4015 Casilio Parkway  
Clarence, NY 14031  
Ph: (716) 759-2222  
Info@SealAndDesign.com  
[www.SealAndDesign.com](http://www.SealAndDesign.com)

**Seal & Design  
Higbee Division**

6741 Thompson Rd N  
Syracuse, NY 13221  
Ph: (315) 432-8021  
Sales@Higbee-Inc.com