

Design

The Hallite 335 is an O-ring energised double lip wiper, which is designed to exclude dirt from entering the cylinder and to collect traces of fluid passing the rod seal.

The standard design is made from bronze filled PTFE, activated by an NBR O-ring.

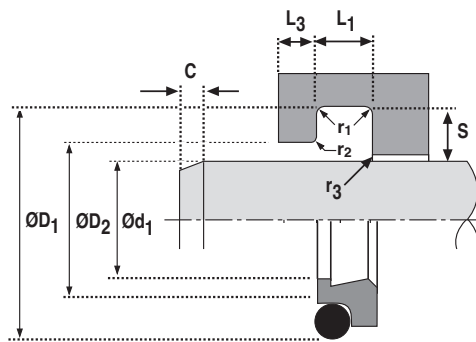
A number of other material options can be provided to extend operating conditions. Please ensure that the correct part number is specified for the material option as indicated.

The housing sizes listed meet ISO6195D.

NB: A vent between the seal and wiper is recommended to avoid a pressure trap

Features	
• Protects primary seal from contamination	
• Extends seal life	
• Low friction no stick-slip	
• High strength machined PTFE wiper	
• Wide range of materials and dimensions available for special applications	

Material	
Face Material - O Ring	
Standard material	
PTFE/Bronze – NBR	20
Material options:	
PTFE/Bronze – FKM	21
PTFE/Glass – NBR	10
PTFE/Glass – FKM	11



Technical details

Operating conditions

Maximum Speed	5.0 m/sec
Temperature Range	-30°C +100°C

Surface roughness

	µmRa	µmRt
Dynamic Sealing Face Ød ₁	0.1 <> 0.4	4 max
Static Sealing Face ØD ₁ ØD ₂	1.6 max	10 max
Static Housing Faces L ₁	3.2 max	16 max

Chamfers & Radii

	Metric	Inch
Groove Section ≤ S mm	3.4	6.1
Min Chamfer C mm	2.0	2.5
Max Fillet Rad r ₁ mm	0.5	0.5
Max Fillet Rad r ₂ mm	0.5	0.5

Tolerances

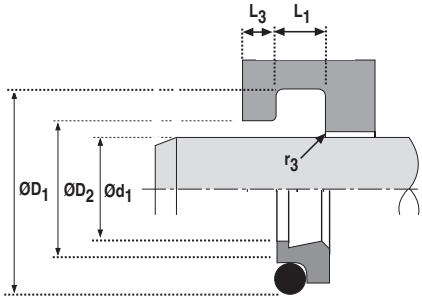
	Ød ₁	ØD ₁	ØD ₂	L ₁
mm	f9	H9	H11	+0.2 -0

Inch

Maximum Speed	15.0 ft/sec
Temperature Range	-22°F +212°F

	µinCLA	µinRMS
Dynamic Sealing Face Ød ₁	4 <> 16	5 <> 18
Static Sealing Face ØD ₁ ØD ₂	63 max	70 max
Static Housing Faces L ₁	125 max	140 max





Ød ₁ f9	ØD ₁ H11	L ₁ +0.2	ØD ₂ H11	L ₃ min	r ₃ max	PART No.
20	26.80	5.00	21.50	2.00	0.80	87151_ _ *
22	28.80	5.00	23.50	2.00	0.80	87152_ _ *
25	31.80	5.00	26.50	2.00	0.80	87153_ _ *
28	34.80	5.00	29.50	2.00	0.80	87154_ _ *
32	38.80	5.00	33.50	2.00	0.80	87156_ _
36	42.80	5.00	37.50	2.00	0.80	87157_ _
40	46.80	5.00	41.50	2.00	0.80	87158_ _
40	48.80	6.30	41.50	3.00	0.80	87159_ _
45	51.80	5.00	46.50	2.00	0.80	87160_ _
45	53.80	6.30	46.50	3.00	0.80	87161_ _
50	56.80	5.00	51.50	2.00	0.80	87162_ _
50	58.80	6.30	51.50	3.00	0.80	87163_ _
56	62.80	5.00	57.50	2.00	0.80	87164_ _
56	64.80	6.30	57.50	3.00	0.80	87165_ _
63	69.80	5.00	64.50	2.00	0.80	87166_ _
63	71.80	6.30	64.50	3.00	0.80	87167_ _
70	78.80	6.30	71.50	3.00	1.00	87168_ _
70	82.20	8.10	72.00	4.00	1.00	87169_ _
80	88.80	6.30	81.50	3.00	1.00	87170_ _

Ød ₁ f9	ØD ₁ H11	L ₁ +0.2	ØD ₂ H11	L ₃ min	r ₃ max	PART No.
80	92.20	8.10	82.00	4.00	1.00	87171_ _
90	98.80	6.30	91.50	3.00	1.00	87172_ _
90	102.20	8.10	92.00	4.00	1.00	87173_ _
100	108.80	6.30	101.50	3.00	1.00	87174_ _
100	112.20	8.10	102.00	4.00	1.00	87175_ _
110	118.80	6.30	111.50	3.00	1.00	87176_ _
110	122.20	8.10	112.00	4.00	1.00	87177_ _
125	133.80	6.30	126.50	3.00	1.00	87178_ _
125	137.20	8.10	127.00	4.00	1.00	87179_ _
140	152.20	8.10	142.00	4.00	1.00	87180_ _
140	156.00	9.50	142.50	5.00	1.50	87181_ _
160	172.20	8.10	162.00	4.00	1.00	87182_ _
160	176.00	9.50	162.50	5.00	1.50	87183_ _
180	192.20	8.10	182.00	4.00	1.00	87184_ _
180	196.00	9.50	182.50	5.00	1.50	87185_ _
200	212.20	8.10	202.00	4.00	1.00	87186_ _
200	216.00	9.50	202.50	5.00	1.50	87187_ _
220	232.20	8.10	222.00	4.00	1.00	87188_ _
220	236.00	9.50	222.50	5.00	1.50	87189_ _

* split housings recommended



Seal & Design
Corporate Headquarters
 Ph: (716)-759-3344
 Info@SealAndDesign.com
 www.SealAndDesign.com