

Design

Designed with the same look and feel as the popular Hallite 842, the Hallite 820 wiper is engineered to fit the same 'D' groove as our Hallite 520 wiper, common in many North American cylinders. However, this profile was developed specifically for harsher environments than the Hallite 520, where the wiper is subject to numerous contaminants, such as in Agriculture, Off-Highway, and Forestry equipment.

What makes the Hallite 820 unique is the protective debris guard, which entirely covers the retaining groove. This feature offers added protection to the integrity of the hydraulic system. Often with a normal 'D' style wiper, it is possible to trap liquids or debris in the wiper cavity or pocket around the O.D. of the wiper. This will eventually allow it to corrode the pocket or pass debris around the wiper contaminating the entire system. This results in down time, as well as repair and warranty costs. Another advantage of the Hallite 820 is that it is easy to install without the use of special tooling as in the case of a metal press-in wiper normally spec'd for harsh environments.

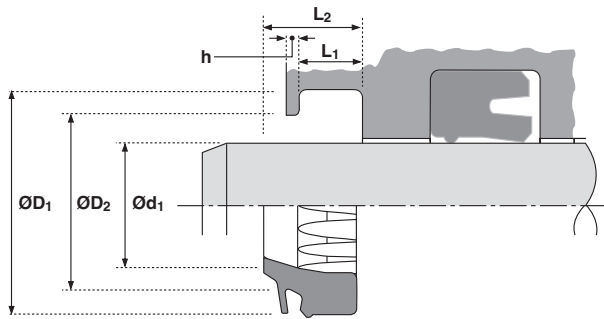
The Hallite 820 incorporates the performance I.D. ribs found on the Hallite 520 to enhance low friction operation, as well as prevent pressure trap between the wiper and the primary rod seal.

The standard material offering is the same hydrolysis-resistant Hythane® Polyurethane as other Hallite performance seals. This material has excellent compression set characteristics, excellent wear, and abrasive resistance, and proven performance with a vast variety of fluids. The Hallite 820 is also offered in a number of other polyurethanes such as the Hythane® 361, and Hythane® 371 a very aggressive scrapping material with proven track record in forestry, mining and aggregate industries.

Other Materials may be available upon special request, please contact your nearest sales office or distributor for details or inquiries.

Features

- Retrofits most 'D' wiper housings
- Interchangeable with Hallite 520 wiper
- Especially effective in vertically mounted cylinders
- Designed to prevent ingress of contamination and moisture into the cylinder



Technical Details

Operating conditions

Maximum Speed 4.0 m/sec
 Temperature Range -45°C +110°C

Inch

12.0 ft/sec
 -50°F +230°F

Surface roughness

	µmRa	µmRt	µinCLA	µinRMS
Dynamic Sealing Face Ød ₁	0.1 < > 0.4	4 max	4 < > 16	5 < > 18
Static Sealing Face ØD ₁ ØD ₂ h	1.6 max	10 max	63 max	70 max
Static Housing Faces L ₁	3.2 max	16 max	125 max	140 max

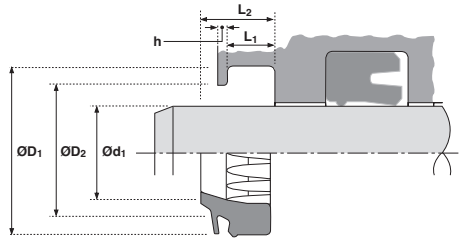
Radii

Max Fillet Rad r₁ in 0.016
 Max Fillet Rad r₂ in 0.016

Tolerances

Ød ₁	ØD ₁	ØD ₂	L ₁	h
f9	±0.003	+0.005	+0.004 -0	+0.004 -0

NOTE h + ØD2 dimension should be verified by customer before purchasing.



$\varnothing d_1$	TOL f9	$\varnothing D_1$	TOL +0.003 -0	$\varnothing D_2$	TOL +0.005 -0	L_1 +0.004 -0	L_2	h +0.004 -0	PART No.
1.125	-0.0008 -0.0028	1.500	+0.003 -0.003	1.375	+0.005 -0.005	0.187	0.281	0.094	4855600
1.250	-0.0010 -0.0034	1.625	+0.003 -0.003	1.500	+0.005 -0.005	0.187	0.281	0.094	4855700
1.375	-0.0010 -0.0034	1.750	+0.003 -0.003	1.625	+0.005 -0.005	0.187	0.281	0.094	4855800
1.500	-0.0010 -0.0034	1.875	+0.003 -0.003	1.750	+0.005 -0.005	0.187	0.281	0.094	4855900
1.750	-0.0010 -0.0034	2.125	+0.003 -0.003	2.000	+0.005 -0.005	0.187	0.281	0.094	4856000
2.000	-0.0012 -0.0041	2.500	+0.003 -0.003	2.332	+0.005 -0.005	0.250	0.375	0.125	4837800
2.250	-0.0012 -0.0041	2.750	+0.003 -0.003	2.582	+0.005 -0.005	0.250	0.375	0.125	4856100
2.500	-0.0012 -0.0041	3.000	+0.003 -0.003	2.832	+0.005 -0.005	0.250	0.375	0.125	4856200
3.000	-0.0012 -0.0041	3.500	+0.003 -0.003	3.332	+0.005 -0.005	0.250	0.375	0.125	4856300
3.500	-0.0014 -0.0048	4.000	+0.003 -0.003	3.832	+0.005 -0.005	0.250	0.375	0.125	4856400
4.000	-0.0014 -0.0048	4.500	+0.003 -0.003	4.332	+0.005 -0.005	0.250	0.375	0.125	4856500
4.500	-0.0014 -0.0048	5.250	+0.003 -0.003	4.998	+0.005 -0.005	0.375	0.562	0.187	4856600
5.000	-0.0017 -0.0056	5.750	+0.003 -0.003	5.498	+0.005 -0.005	0.375	0.562	0.187	4856700
6.000	-0.0017 -0.0056	6.750	+0.003 -0.003	6.498	+0.005 -0.005	0.375	0.562	0.187	4856800

NOTE h + ØD2 dimension should be verified by customer before purchasing.



Seal & Design
Corporate Headquarters
 Ph: (716)-759-3344
 Info@SealAndDesign.com
 www.SealAndDesign.com