

Design

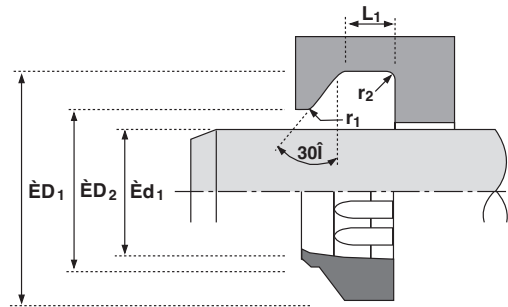
The Hallite 841 is a medium duty wiper and incorporates a knife trimmed wiping lip to prevent contaminants like dust, dirt and moisture from entering the gland.

Manufactured in Hallite's high performance polyurethane – Hythane® 181 – this wiper provides superior performance to traditional products like Hallite 41, W, K, NK and RWK wipers.

The main body features internal ribs designed to keep the wiper stable, ensuring lip contact with the rod at all times, and to allow fluid by-pass if the rod seal weeps.

Features

- Precision trimmed wiping lip
- Excellent resistance to abrasion
- Extremely flexible
- Easy installation
- Interchangeable with other common styles



Technical details

Operating conditions

Maximum Speed
Maximum Temperature

Metric
4.0 m/sec
-45°C +110°C

Inch
12.0 ft/sec
-50°F +230°F

Surface roughness

Dynamic Sealing Face $\varnothing d_1$
Static Sealing Face $\varnothing D_1$
Static Housing Faces L_1

μmRa	μmRt
0.1 < > 0.4	4 max
1.6 max	10 max
3.2 max	16 max

μinCLA	μinRMS
4 < > 16	5 < > 18
63 max	70 max
125 max	140 max

Chamfers & Radii

Max Fillet Rad r_1 in
Max Fillet Rad r_2 in

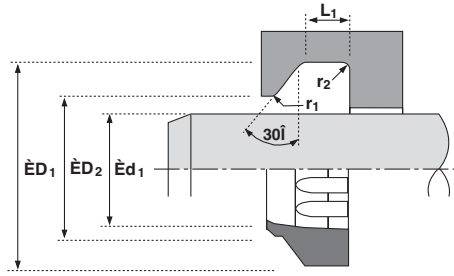
0.010
0.020

Tolerances

in

$\varnothing d_1$	$\varnothing D_1$	$\varnothing D_2$	L_1
f9	+0.005 -0	+0.010 -0	+0.005 +0





Ød_1	TOL f9	ØD_1	TOL	ØD_2	TOL	L_1 +0.005 -0	L_2	PART No.
1.125	-0.0008 -0.0028	1.500	+0.005 -0.000	1.233	+0.010 -0.000	0.188	0.345	4404600
1.250	-0.0010 -0.0034	1.625	+0.005 -0.000	1.358	+0.010 -0.000	0.188	0.345	4431300
1.375	-0.0010 -0.0034	1.750	+0.005 -0.000	1.483	+0.010 -0.000	0.188	0.345	4553100
1.500	-0.0010 -0.0034	1.760	+0.005 -0.000	1.608	+0.010 -0.000	0.188	0.345	4574100
1.500	-0.0010 -0.0034	1.875	+0.005 -0.000	1.608	+0.010 -0.000	0.188	0.345	4399100
1.750	-0.0010 -0.0034	2.125	+0.005 -0.000	1.858	+0.010 -0.000	0.188	0.345	4399200
2.000	-0.0012 -0.0041	2.375	+0.005 -0.000	2.108	+0.010 -0.000	0.188	0.345	4431400



Seal & Design
Corporate Headquarters
Ph: (716)-759-3344
Info@SealAndDesign.com
www.SealAndDesign.com