



## MCW profile data

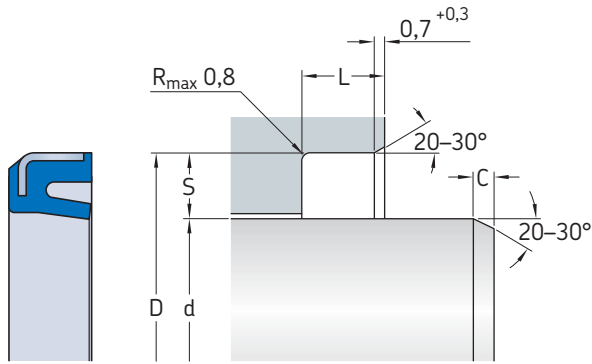


|                            |  |
|----------------------------|--|
| <b>Material codes</b>      | Metric sizes → U-1029<br>Inch sizes → U-1023                       |
| <b>Speed</b>               | Up to 1,5 m/s (4.9 ft/s)   |
| <b>Temperature range</b>   | -40 to +120 °C (-40 to +250 °F)                                    |
| <b>Dimension standards</b> | Some metric sizes fit seal housings in accordance with ISO 6195-B. |

Maximum values of application parameters (e.g. speed, temperature) should not be applied continuously nor simultaneously.

## MCW profile wiper seals, metric sizes

d 20 – 65 mm



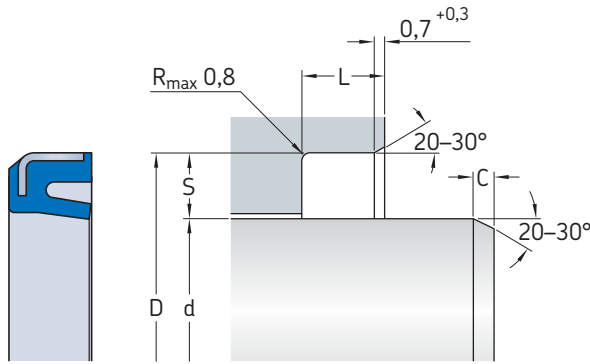
| Dimensions      |                |             |               |             | Designation   |
|-----------------|----------------|-------------|---------------|-------------|---|
| d <sup>1)</sup> | D<br>H8        | L<br>+0,5   | S             | C<br>min.   |   |
| mm              |                |             |               |             | –   |
| 20              | 30             | 7           | 5             | 5           | • MCW-20x30x7-E6Q                                       |
| 25              | 35             | 7           | 5             | 5           | • MCW-25x35x7-E6Q                                       |
| 30              | 40             | 7           | 5             | 5           | • MCW-30x40x7-E6Q                                       |
| 32              | 42             | 7           | 5             | 5           | • MCW-32x42x7-E6Q                                       |
| 35              | 50             | 9           | 7,5           | 7           | MCW-35x50x9-E6Q   |
| 36              | 46             | 7           | 5             | 5           | • MCW-36x46x7-E6Q                                       |
| 40              | 50<br>55       | 7<br>9      | 5<br>7,5      | 5<br>7      | • MCW-40x50x7-E6Q<br>MCW-40x55x9-E6Q                    |
| 45              | 55<br>55<br>60 | 5<br>7<br>9 | 5<br>5<br>7,5 | 5<br>5<br>7 | MCW-45x55x5-E6Q<br>• MCW-45x55x7-E6Q<br>MCW-45x60x9-E6Q |
| 50              | 60<br>60<br>65 | 5<br>7<br>9 | 5<br>5<br>7,5 | 5<br>5<br>7 | MCW-50x60x5-E6Q<br>• MCW-50x60x7-E6Q<br>MCW-50x65x9-E6Q |
| 55              | 65             | 5           | 5             | 5           | MCW-55x65x5-E6Q   |
| 56              | 66<br>68<br>71 | 7<br>7<br>9 | 5<br>6<br>7,5 | 5<br>5<br>7 | • MCW-56x66x7-E6Q<br>MCW-56x68x7-E6Q<br>MCW-56x71x9-E6Q |
| 60              | 70<br>74       | 5<br>8      | 5<br>7        | 5<br>7      | MCW-60x70x5-E6Q<br>MCW-60x74x8-E6Q                      |
| 63              | 78             | 9           | 7,5           | 7           | MCW-63x78x9-E6Q   |
| 65              | 75<br>79       | 5<br>8      | 5<br>7        | 5<br>7      | MCW-65x75x5-E6Q<br>MCW-65x79x8-E6Q                      |

• Seal housing dimensions in accordance with ISO 6195-B

<sup>1)</sup> Tolerance is determined by the rod seal

## MCW profile wiper seals, metric sizes

d 70 – 130 mm



| Dimensions      |         |           |     |           | Designation        |
|-----------------|---------|-----------|-----|-----------|--------------------|
| d <sup>1)</sup> | D<br>H8 | L<br>+0,5 | S   | C<br>min. |                    |
| mm              |         |           |     |           | –                  |
| 70              | 80      | 5         | 5   | 5         | MCW-70x80x5-E6Q    |
|                 | 80      | 7         | 5   | 5         | • MCW-70x80x7-E6Q  |
|                 | 84      | 8         | 7   | 7         | MCW-70x84x8-E6Q    |
|                 | 85      | 7         | 7,5 | 7         | MCW-70x85x7-E6Q    |
| 75              | 89      | 8         | 7   | 7         | MCW-75x89x8-E6Q    |
|                 | 90      | 7,5       | 7,5 | 7         | MCW-75x90x7.5-E6Q  |
| 80              | 90      | 7         | 5   | 5         | • MCW-80x90x7-E6Q  |
|                 | 94      | 8         | 7   | 7         | MCW-80x94x8-E6Q    |
|                 | 100     | 7         | 10  | 7,5       | MCW-80x100x7-E6Q   |
|                 | 100     | 10        | 10  | 7,5       | MCW-80x100x10-E6Q  |
| 85              | 99      | 8         | 7   | 7         | MCW-85x99x8-E6Q    |
| 90              | 104     | 8         | 7   | 7         | MCW-90x104x8-E6Q   |
|                 | 105     | 7         | 7,5 | 7         | MCW-90x105x7-E6Q   |
|                 | 106     | 8         | 8   | 7         | MCW-90x106x8-E6Q   |
|                 | 110     | 7         | 10  | 7,5       | MCW-90x110x7-E6Q   |
| 95              | 109     | 8         | 7   | 7         | MCW-95x109x8-E6Q   |
| 100             | 110     | 7         | 5   | 5         | MCW-100x110x7-E6Q  |
|                 | 114     | 8         | 7   | 7         | MCW-100x114x8-E6Q  |
|                 | 116     | 8         | 8   | 7         | MCW-100x116x8-E6Q  |
| 110             | 130     | 8         | 10  | 7,5       | MCW-110x130x8-E6Q  |
|                 | 130     | 10        | 10  | 7,5       | MCW-110x130x10-E6Q |
| 120             | 136     | 9         | 8   | 7         | MCW-120x136x9-E6Q  |
| 125             | 140     | 9         | 7,5 | 7         | MCW-125x140x9-E6Q  |
| 130             | 150     | 10        | 10  | 7,5       | MCW-130x150x10-E6Q |

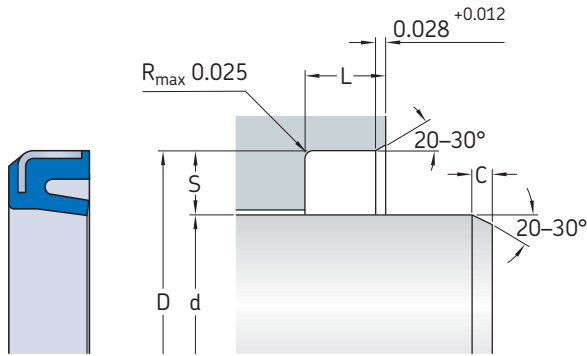
Other sizes are available on request

• Seal housing dimensions in accordance with ISO 6195-B

<sup>1)</sup> Tolerance is determined by the rod seal

## MCW profile wiper seals, inch sizes

d 0.5 – 2.125 in.

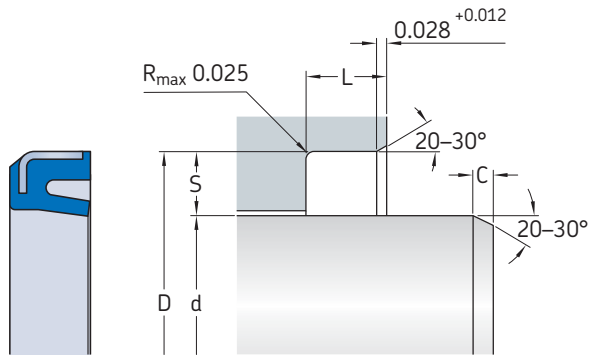


| Dimensions      |             |             |       |           | Designation                |
|-----------------|-------------|-------------|-------|-----------|----------------------------|
| d <sup>1)</sup> | D<br>±0.001 | L<br>+0.015 | S     | C<br>min. |                            |
| in.             |             |             |       |           | –                          |
| <b>0.5</b>      | 1           | 0.25        | 0.25  | 0.312     | <b>MCW-500-H9B</b>         |
| <b>0.625</b>    | 1.125       | 0.312       | 0.25  | 0.312     | <b>MCW-625-H9B</b>         |
| <b>0.75</b>     | 1.25        | 0.312       | 0.25  | 0.312     | <b>MCW-750-H9B</b>         |
| <b>0.875</b>    | 1.375       | 0.312       | 0.25  | 0.312     | <b>MCW-875-H9B</b>         |
| <b>1</b>        | 1.5         | 0.312       | 0.25  | 0.312     | <b>MCW-1000-H9B</b>        |
| <b>1.125</b>    | 1.625       | 0.312       | 0.25  | 0.312     | <b>MCW-1125-H9B</b>        |
| <b>1.187</b>    | 1.623       | 0.218       | 0.25  | 0.312     | <b>MCW218-1187-250-H9B</b> |
| <b>1.25</b>     | 1.75        | 0.312       | 0.25  | 0.312     | <b>MCW-1250-H9B</b>        |
| <b>1.375</b>    | 1.875       | 0.312       | 0.25  | 0.312     | <b>MCW-1375-H9B</b>        |
| <b>1.5</b>      | 2           | 0.312       | 0.25  | 0.312     | <b>MCW-1500-H9B</b>        |
|                 | 2.125       | 0.312       | 0.312 | 0.312     | <b>MCW312-1500-312-H9B</b> |
| <b>1.562</b>    | 1.875       | 0.156       | 0.375 | 0.312     | <b>MCW156-1562-375-H9B</b> |
| <b>1.625</b>    | 2.125       | 0.312       | 0.25  | 0.312     | <b>MCW-1625-H9B</b>        |
| <b>1.75</b>     | 2.25        | 0.312       | 0.25  | 0.312     | <b>MCW-1750-H9B</b>        |
|                 | 2.5         | 0.375       | 0.375 | 0.312     | <b>MCW375-1750-375-H9B</b> |
| <b>1.875</b>    | 2.375       | 0.312       | 0.25  | 0.312     | <b>MCW-1875-H9B</b>        |
| <b>2</b>        | 2.5         | 0.312       | 0.25  | 0.312     | <b>MCW-2000-H9B</b>        |
|                 | 2.75        | 0.375       | 0.375 | 0.312     | <b>MCW375-2000-375-H9B</b> |
|                 | 2.875       | 0.438       | 0.25  | 0.312     | <b>MCW438-2000-250-H9B</b> |
| <b>2.125</b>    | 2.625       | 0.312       | 0.25  | 0.312     | <b>MCW-2125-H9B</b>        |
|                 | 2.875       | 0.375       | 0.375 | 0.312     | <b>MCW375-2125-375-H9B</b> |

<sup>1)</sup> Tolerance is determined by the rod seal

## MCW profile wiper seals, inch sizes

d 2.25 – 8.5 in.



| Dimensions      |             |             |       |           | Designation         |
|-----------------|-------------|-------------|-------|-----------|---------------------|
| d <sup>1)</sup> | D<br>±0.001 | L<br>+0.015 | S     | C<br>min. |                     |
| in.             |             |             |       |           | –                   |
| 2.25            | 2.75        | 0.312       | 0.25  | 0.312     | MCW-2250-H9B        |
|                 | 3           | 0.375       | 0.25  | 0.312     | MCW375-2250-250-H9B |
| 2.375           | 2.875       | 0.312       | 0.25  | 0.312     | MCW-2375-H9B        |
| 2.5             | 3           | 0.312       | 0.25  | 0.312     | MCW-2500-H9B        |
|                 | 3.19        | 0.345       | 0.375 | 0.312     | MCW345-2500-375-H9B |
| 2.625           | 3.125       | 0.312       | 0.25  | 0.312     | MCW-2625-H9B        |
|                 | 3.375       | 0.375       | 0.375 | 0.312     | MCW375-2625-375-H9B |
| 2.75            | 3.25        | 0.312       | 0.25  | 0.312     | MCW-2750-H9B        |
|                 | 3.5         | 0.375       | 0.375 | 0.312     | MCW375-2750-375-H9B |
| 3               | 3.5         | 0.312       | 0.25  | 0.312     | MCW-3000-H9B        |
|                 | 3.75        | 0.375       | 0.375 | 0.312     | MCW375-3000-375-H9B |
| 3.125           | 3.75        | 0.312       | 0.312 | 0.312     | MCW-3125-H9B        |
| 3.25            | 3.875       | 0.312       | 0.312 | 0.312     | MCW-3250-H9B        |
| 3.5             | 4.125       | 0.312       | 0.312 | 0.312     | MCW-3500-H9B        |
|                 | 4.25        | 0.375       | 0.312 | 0.312     | MCW375-3500-312-H9B |
| 3.625           | 4.25        | 0.312       | 0.312 | 0.312     | MCW-3625-H9B        |
| 3.75            | 4.375       | 0.312       | 0.312 | 0.312     | MCW-3750-H9B        |
| 4               | 4.625       | 0.312       | 0.312 | 0.312     | MCW-4000-H9B        |
| 4.25            | 4.875       | 0.312       | 0.312 | 0.312     | MCW-4250-H9B        |
| 4.5             | 5.125       | 0.312       | 0.312 | 0.312     | MCW-4500-H9B        |
| 5               | 5.625       | 0.312       | 0.312 | 0.312     | MCW-5000-H9B        |

<sup>1)</sup> Tolerance is determined by the rod seal

| Dimensions      |                |                |                |                | Designation                         |
|-----------------|----------------|----------------|----------------|----------------|-------------------------------------|
| d <sup>1)</sup> | D<br>±0.001    | L<br>+0.015    | S              | C<br>min.      |                                     |
| in.             |                |                |                |                | –                                   |
| 5.5             | 6.125<br>6.25  | 0.375<br>0.375 | 0.312<br>0.312 | 0.312<br>0.312 | MCW-5500-H9B<br>MCW375-5500-312-H9B |
| 5.75            | 6.375<br>6.75  | 0.375<br>0.5   | 0.312<br>0.5   | 0.312<br>0.375 | MCW-5750-H9B<br>MCW500-5750-500-H9B |
| 6               | 6.625          | 0.375          | 0.312          | 0.312          | MCW-6000-H9B                        |
| 6.5             | 7.125          | 0.312          | 0.312          | 0.312          | MCW312-6500-312-H9B                 |
| 6.75            | 7.375<br>7.375 | 0.312<br>0.375 | 0.312<br>0.312 | 0.312<br>0.312 | MCW312-6750-312-H9B<br>MCW-6750-H9B |
| 7               | 7.75           | 0.375          | 0.312          | 0.312          | MCW375-7000-312-H9B                 |
| 8               | 8.75           | 0.375          | 0.375          | 0.312          | MCW375-8000-375-H9B                 |
| 8.5             | 9.125          | 0.375          | 0.312          | 0.312          | MCW-8500-H9B                        |

**Other sizes are available on request**

<sup>1)</sup> Tolerance is determined by the rod seal

**Seal & Design  
Able Division**  
5533 Steeles Avenue West Unit 11  
Toronto, Ontario M9L 1S7  
Ph: (416) 741-0750  
Gasket@AbleSealAndDesign.com

**Seal & Design  
Corporate Headquarters**  
4015 Casilio Parkway  
Clarence, NY 14031  
Ph: (716) 759-2222  
Info@SealAndDesign.com  
[www.SealAndDesign.com](http://www.SealAndDesign.com)

**Seal & Design  
Higbee Division**  
6741 Thompson Rd N  
Syracuse, NY 13221  
Ph: (315) 432-8021  
Sales@Higbee-Inc.com