



PA profile data

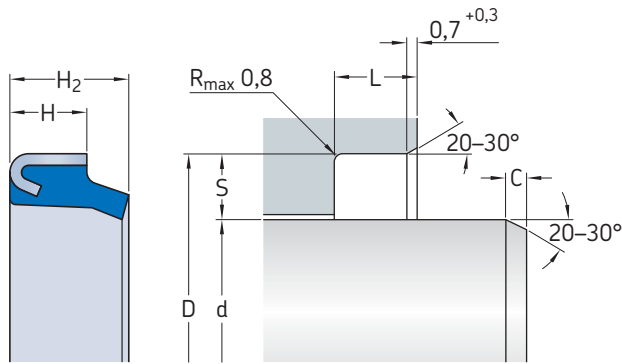


Material code	W93
Speed	Up to 1 m/s (3.2 ft/s)
Temperature range	-40 to +110 °C (-40 to +230 °F)
Dimension standards	Some sizes fit seal housings in accordance with ISO 6195-B.

Maximum values of application parameters (e.g. speed, temperature) should not be applied continuously nor simultaneously.

PA profile wiper seals, metric sizes

d 12 – 65 mm



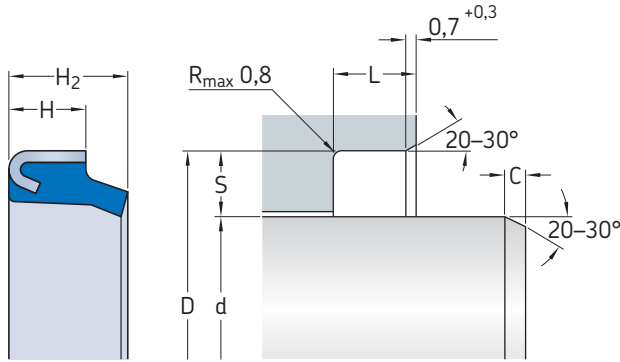
Dimensions							Designation
d ¹⁾	D H8	L +0,5	S	C min.	H	H ₂ +1	
mm							-
12	20	4,5	4	3	4	6	PA 12x20x4x6
20	30	7,5	5	4	7	10	• PA 20x30x7x10
25	35	7,5	5	4	7	10	• PA 25x35x7x10
28	38	7,5	5	4	7	10	• PA 28x38x7x10
30	40	7,5	5	4	7	10	PA 30x40x7x10
32	42	7,5	5	4	7	10	• PA 32x42x7x10
	45	7,5	6,5	5	7	10	PA 32x45x7x10
35	45	7,5	5	4	7	10	PA 35x45x7x10
36	45	7,5	4,5	4	7	10	PA 36x45x7x10
	46	7,5	5	4	7	10	• PA 36x46x7x10
40	50	7,5	5	4	7	10	• PA 40x50x7x10
	55	7,5	5	4	7	10	• PA 45x55x7x10
45	60	7,5	7,5	6	7	10	PA 45x60x7x10
	60	7,5	5	4	7	10	• PA 50x60x7x10
50	65	7,5	7,5	6	7	10	PA 50x65x7x10
	65	7,5	5	4	7	10	PA 55x65x7x10
55	70	7,5	7,5	6	7	10	PA 55x70x7x10
	66	7,5	5	4	7	10	• PA 56x66x7x10
60	70	7,5	5	4	7	10	PA 60x70x7x10
63	73	7,5	5	4	7	10	• PA 63x73x7x10
	75	7,5	6	4	7	10	PA 63x75x7x10
	78	7,5	7,5	6	7	10	PA 63x78x7x10
65	75	7,5	5	4	7	10	PA 65x75x7x10

• Seal housing dimensions in accordance with ISO 6195-B

¹⁾ Tolerance is determined by the rod seal

PA profile wiper seals, metric sizes

d 70 – 180 mm



Dimensions

Designation

d¹⁾ D H8 L +0,5 S C min. H H₂ +1

mm

	D	L	S	C	H	H ₂	Designation
70	80	7,5	5	4	7	10	• PA 70x80x7x10
75	85	7,5	5	4	7	10	PA 75x85x7x10
80	90	7,5	5	4	7	10	• PA 80x90x7x10
85	95	7,5	5	4	7	10	PA 85x95x7x10
90	100	7,5	5	4	7	10	• PA 90x100x7x10
100	110	7,5	5	4	7	10	PA 100x110x7x10
105	115	7,5	5	4	7	10	PA 105x115x7x10
110	120	7,5	5	4	7	10	PA 110x120x7x10
115	125	7,5	5	4	7	10	PA 115x125x7x10
120	130	7,5	5	4	7	10	PA 120x130x7x10
125	140	9,5	7,5	7	9	12	• PA 125x140x9x12
140	155	9,5	7,5	7	9	12	• PA 140x155x9x12
180	195	9,5	7,5	7	9	12	• PA 180x195x9x12

Other sizes are available on request

• Seal housing dimensions in accordance with ISO 6195-B

¹⁾ Tolerance is determined by the rod seal

Seal & Design Able Division

5533 Steeles Avenue West Unit 11
Toronto, Ontario M9L 1S7
Ph: (416) 741-0750
Gasket@AbleSealAndDesign.com

Seal & Design Corporate Headquarters

4015 Casilio Parkway
Clarence, NY 14031
Ph: (716) 759-2222
Info@SealAndDesign.com
www.SealAndDesign.com

Seal & Design Higbee Division

6741 Thompson Rd N
Syracuse, NY 13221
Ph: (315) 432-8021
Sales@Higbee-Inc.com