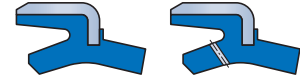




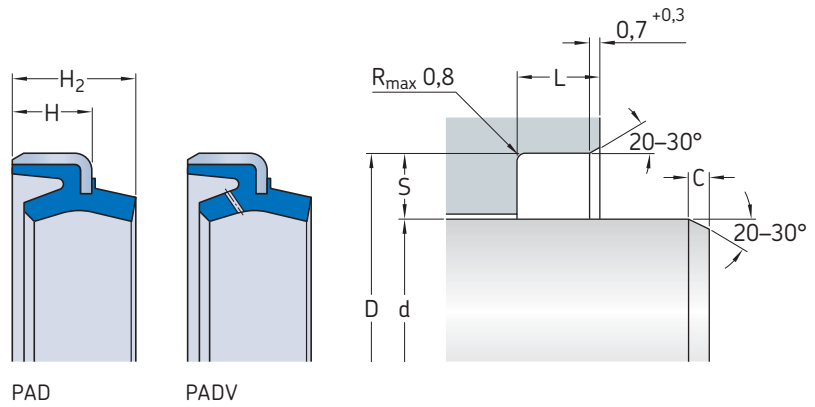
## PAD and PADV profile data



<b>Material code</b>	W93
<b>Speed</b>	Up to 1 m/s (3.2 ft/s)
<b>Temperature range</b>	-40 to +110 °C (-40 to +230 °F)

Maximum values of application parameters (e.g. speed, temperature) should not be applied continuously nor simultaneously.

**PAD and PADV profile wiper seals, metric sizes**  
d 30 – 120 mm



Dimensions							Designations	
d <sup>1)</sup>	D H8	L +0,5	S	C min.	H	H <sub>2</sub> +1	PAD	PADV (with vent)
mm								
30	42	6,5	6	4	6	9	PAD 30x42x6x9	PADV 30x42x6x9
35	47	7,5	6	4	7	10	PAD 35x47x7x10	PADV 35x47x7x10
40	52	7,5	6	4	7	10	PAD 40x52x7x10	PADV 40x52x7x10
45	57	7,5	6	4	7	10	PAD 45x57x7x10	PADV 45x57x7x10
50	62	7,5	6	4	7	10	PAD 50x62x7x10	PADV 50x62x7x10
55	69	8,5	7	5	8	11	PAD 55x69x8x11	PADV 55x69x8x11
60	74	8,5	7	5	8	11	PAD 60x74x8x11	PADV 60x74x8x11
65	79	8,5	7	5	8	11	PAD 65x79x8x11	PADV 65x79x8x11
70	84	8,5	7	5	8	11	PAD 70x84x8x11	PADV 70x84x8x11
75	89	8,5	7	5	8	11	PAD 75x89x8x11	PADV 75x89x8x11
80	94	8,5	7	5	8	11	PAD 80x94x8x11	PADV 80x94x8x11
85	99	8,5	7	5	8	11	PAD 85x99x8x11	PADV 85x99x8x11
90	104	8,5	7	5	8	11	PAD 90x104x8x11	PADV 90x104x8x11
95	109	8,5	7	5	8	11	PAD 95x109x8x11	PADV 95x109x8x11
100	114	8,5	7	5	8	11	PAD 100x114x8x11	PADV 100x114x8x11
105	121	9,5	8	7	9	12	PAD 105x121x9x12	PADV 105x121x9x12
110	126	9,5	8	7	9	12	PAD 110x126x9x12	PADV 110x126x9x12
115	131	9,5	8	7	9	12	PAD 115x131x9x12	PADV 115x131x9x12
120	136	9,5	8	7	9	12	PAD 120x136x9x12	PADV 120x136x9x12

Other sizes are available on request

<sup>1)</sup> Tolerance is determined by the rod seal

**Seal & Design**  
**Able Division**  
5533 Steeles Avenue West Unit 11  
Toronto, Ontario M9L 1S7  
Ph: (416) 741-0750  
Gasket@AbleSealAndDesign.com

**Seal & Design**  
**Corporate Headquarters**  
4015 Casilio Parkway  
Clarence, NY 14031  
Ph: (716) 759-2222  
Info@SealAndDesign.com  
www.SealAndDesign.com

**Seal & Design**  
**Higbee Division**  
6741 Thompson Rd N  
Syracuse, NY 13221  
Ph: (315) 432-8021  
Sales@Higbee-Inc.com